



# Oshino Lamps Ltd.

## Sub-Miniature Lamps Product Catalogue

### サブミニチュアランプ 製品カタログ



株式会社 押野電気製作所

Established in 1931

# INDEX

P/N Index -----	1~3	T-1 1/4 Wire Terminal -----	22
SML (Sub-Miniature Lamp)		T-1 1/4 IBP $\phi$ 0.4mm (.016") Pins -----	23
I. Standard Size -----	4	T-1 1/4 Midget Flanged (Special) -----	24
II. Main Parts -----	4	T-1 1/4 Bi-Pin (Type-A) -----	25
III. Filament -----	5	T-1 1/4 Bi-Pin (Type-E) -----	26
IV. Glass Bulb -----	5	T-1 1/4 Neowedge -----	27
V. Wire-Terminal Manufacturing Process -----	6	T-1 1/2 Neowedge -----	28
VI. Base / Terminal -----	6	T-1 1/2 P.C.Board Bayonet (Type-A)	
VII. Characteristics -----	7~10	T-1 1/2 P.C.Board Bayonet (Type-B) -----	29
T-3/4 IBP -----	11	T-1 1/2 P.C.Board Bayonet (Type-C)	
T-3/4IBPS		T-1 3/4 Wire Terminal -----	30
T-3/4IBPS (Type-A)		T-1 3/4 IBP $\phi$ 0.4mm (.016") Pins -----	31
T-3/4IBPS (Type-G)		T-1 3/4 Midget Flanged -----	32
T-1 Short IBP -----	12	T-1 3/4 Midget Grooved -----	33
T-1 Short IBP (Type-A)		T-1 3/4 Midget Screw -----	34
T-1 Short IBP (Type-G)		T-1 3/4 Midget Bayonet -----	35
T-1 Short IBP (Type-E)		T-1 3/4 Bi-Pin -----	36
T-1 Short Bi-Pin -----	13	T-1 3/4 Bi-Pin (Relampable) -----	37
T-1 Short BPA			
T-1 Short BPG			
T-1 Short BPE			
T-3/4 Wire Terminal -----	14		
Standard Bulb Length			
Short Bulb Length			
T-3/4 Bi-Pin			
T-1 Wire Terminal -----	15		
Standard Bulb Length			
Short Bulb Length			
T-1 Sub-Midget Flanged -----	16		
French Norm			
T-1 Bi-Pin (Standard) -----	17		
T-1 Bi-Pin (Type-A) -----	18		
T-1 Bi-Pin (Type-C) -----	19		
T-1 Bi-Pin (Type-E) -----	20		
T-1 Neowedge -----	21		

# P/N Index (1/3)

アイテム名 Part Number	ページ Page
OL-1088	15
OL-1089	15
OL-1092	15
OL-1098	16
OL-1098BP	17
OL-1098BPA	18
OL-1098BPC	19
OL-1098BPE	20
OL-1098NW	21
OL-1099	16
OL-1099BP	17
OL-1099BPA	18
OL-1099BPC	19
OL-1099BPE	20
OL-1099NW	21
OL-1100	16
OL-1100BP	17
OL-1100BPA	18
OL-1100BPC	19
OL-1100BPE	20
OL-1100NW	21
OL-1111	15
OL-1112	16
OL-1112BP	17
OL-1112BPA	18
OL-1112BPC	19
OL-1112BPE	20
OL-1112NW	21
OL-1705	30
OL-1705IBP	31
OL-1705L	30
OL-1730	30
OL-1738	30
OL-1739	30
OL-1764	30
OL-1764IBP	31
OL-1764LSV	30
OL-1764LSV-IBP	31
OL-1767*	34
OL-1768*	34
OL-1768L	34
OL-1769*	34
OL-1775	34
OL-1783	30
OL-1784	30
OL-1784IBP	31
OL-2102	30
OL-2102IBP	31
OL-2107	30
OL-2107IBP	31
OL-2112	30
OL-2112IBP	31
OL-2162	30
OL-2162IBP	31
OL-2169	30
OL-2174	30
OL-2180	30
OL-2181	30
OL-2181IBP	31
OL-2182	30
OL-2182IBP	31
OL-2185	30
OL-2185IBP	31
OL-2187	30
OL-2187IBP	31
OL-2400	14
OL-2400IBPS	11
OL-2400IBPS/A	11
OL-2400IBPS/G	11
OL-2404	14

アイテム名 Part Number	ページ Page
OL-24042	14
OL-2404IBPS	11
OL-2404IBPS/A	11
OL-2404IBPS/G	11
OL-2411	14
OL-24112	14
OL-2415	14
OL-2426	14
OL-2436	14
OL-24362	14
OL-2449	14
OL-268BP	36
OL-268BPR	37
OL-268MB	35
OL-3007	16
OL-3007BP	17
OL-3007BPA	18
OL-3007BPC	19
OL-3007BPE	20
OL-3007NW	21
OL-3008	16
OL-3008BP	17
OL-3008BPA	18
OL-3008BPC	19
OL-3008BPE	20
OL-3009	15
OL-3010	15
OL-3019	15
OL-30192IBP/A	12
OL-30192IBP/E	12
OL-30192IBP/G	12
OL-3020	16
OL-30202BPA	13
OL-30202BPE	13
OL-30202BPG	13
OL-3020BP	17
OL-3020BPA	18
OL-3020BPC	19
OL-3020BPE	20
OL-3023	15
OL-3024	16
OL-3024BP	17
OL-3024BPA	18
OL-3024BPC	19
OL-3024BPE	20
OL-3024NW	21
OL-3037	15
OL-3038	16
OL-3038BP	17
OL-3038BPA	18
OL-3038BPC	19
OL-3038BPE	20
OL-3041	15
OL-3042	16
OL-3042BP	17
OL-3042BPA	18
OL-3042BPC	19
OL-3042BPE	20
OL-3042NW	21
OL-3043	15
OL-30432IBP/A	12
OL-30432IBP/E	12
OL-30432IBP/G	12
OL-3044	16
OL-30442BPA	13
OL-30442BPE	13
OL-30442BPG	13
OL-3044BP	17
OL-3044BPA	18
OL-3044BPC	19

アイテム名 Part Number	ページ Page
OL-3044BPE	20
OL-3056	15
OL-3057	16
OL-3057BP	17
OL-3057BPA	18
OL-3057BPC	19
OL-3057BPE	20
OL-3070	15
OL-30702	15
OL-30702IBP/A	12
OL-30702IBP/E	12
OL-30702IBP/G	12
OL-3071	16
OL-30712BPA	13
OL-30712BPE	13
OL-30712BPG	13
OL-3071BP	17
OL-3071BPA	18
OL-3071BPC	19
OL-3071BPE	20
OL-3071NW	21
OL-3091	15
OL-3092	16
OL-3092BP	17
OL-3092BPA	18
OL-3092BPC	19
OL-3092BPE	20
OL-3092NW	21
OL-3093	15
OL-3094	16
OL-3094BP	17
OL-3094BPA	18
OL-3094BPC	19
OL-3094BPE	20
OL-3094NW	21
OL-3104	16
OL-3106	16
OL-3109	16
OL-3111	16
OL-3112	16
OL-3115	16
OL-3228	15
OL-3229	16
OL-3229BP	17
OL-3229BPA	18
OL-3229BPC	19
OL-3229BPE	20
OL-3229NW	21
OL-327*	32
OL-327BP	36
OL-327BPR	37
OL-327LSV	32
OL-327LSV/BPR	37
OL-327LSV-BP	36
OL-328*	32
OL-328BP	36
OL-328BPR	37
OL-330*	32
OL-330BP	36
OL-330BPR	37
OL-330MB	35
OL-3317NW	21
OL-334	33
OL-334LSV	33
OL-335*	34
OL-335LSV	34
OL-336	33
OL-337	33
OL-338*	32
OL-338BP	36

アイテム名 Part Number	ページ Page
OL-338BPR	37
OL-338MB	35
OL-342*	34
OL-345	32
OL-345BP	36
OL-345BPR	37
OL-345MB	35
OL-3480NW	21
OL-349	32
OL-349BP	36
OL-349BPR	37
OL-3507NW	21
OL-350BP	36
OL-350BPR	37
OL-350MB	35
OL-361	30
OL-361IBP	31
OL-362	34
OL-365	32
OL-365BP	36
OL-365BPR	37
OL-367	32
OL-367BP	36
OL-367BPR	37
OL-367MB	35
OL-368*	32
OL-368BP	36
OL-368BPR	37
OL-368MB	35
OL-370	32
OL-370BP	36
OL-370BPR	37
OL-370MB	35
OL-373	34
OL-375BPR	37
OL-377	32
OL-377BP	36
OL-377BPR	37
OL-378	34
OL-379	33
OL-380	32
OL-380BP	36
OL-380BPR	37
OL-380MB	35
OL-381*	32
OL-381BP	36
OL-381BPR	37
OL-381MB	35
OL-382	32
OL-382BP	36
OL-382BPR	37
OL-382MB	35
OL-384	34
OL-385	32
OL-385AS15*	32
OL-385BP	36
OL-385BPR	37
OL-386	33
OL-387*	32
OL-387BP	36
OL-387BPR	37
OL-388	33
OL-394	32
OL-394BP	36
OL-394BPR	37
OL-394MB	35
OL-398	33
OL-399	34
OL-4003	22
OL-4003IBP	23

## P/N Index (2/3)

アイテム名 Part Number	ページ Page
OL-4004	24
OL-4004BPA	25
OL-4004BPE	26
OL-4004NW	27
OL-4008	22
OL-4008IBP	23
OL-4009	24
OL-4009BPA	25
OL-4009BPE	26
OL-4009NW	27
OL-4015BPA	25
OL-4029	22
OL-4029IBP	23
OL-4030	24
OL-4030BPA	25
OL-4030BPE	26
OL-4030NW	27
OL-4031	22
OL-4031IBP	23
OL-4032	24
OL-4032BPA	25
OL-4032BPE	26
OL-4032NW	27
OL-4042BPA	25
OL-4054	22
OL-4060BPA	25
OL-4073	22
OL-4073IBP	23
OL-4074	24
OL-4074BPA	25
OL-4074BPE	26
OL-4074NW	27
OL-4097BPA	25
OL-4106NW	27
OL-4132	22
OL-4132IBP	23
OL-4133	24
OL-4133BPA	25
OL-4133BPE	26
OL-4133NW	27
OL-4168	22
OL-4168IBP	23
OL-4185	22
OL-4185IBP	23
OL-4186NW	27
OL-4193	22
OL-4194NW	27
OL-4222BPE	26
OL-4239	22
OL-4239IBP	23
OL-4240BPE	26
OL-4240NW	27
OL-428	32
OL-428BP	36
OL-428BPR	37
OL-4300	22
OL-4301NW	27
OL-4341	22
OL-4342NW	27
OL-4369	22
OL-4370NW	27
OL-4388	22
OL-4389NW	27
OL-5001NW	28
OL-5001PBA	28
OL-5001PBB	29
OL-5001PBC	29
OL-5002NW	28
OL-5002PBA	28
OL-5002PBB	29

アイテム名 Part Number	ページ Page
OL-5002PBC	29
OL-5006NW	28
OL-5013NW	28
OL-5014NW	28
OL-5015NW	28
OL-5015PBA	28
OL-5015PBB	29
OL-5015PBC	29
OL-5016NW	28
OL-5017NW	28
OL-5017PBA	28
OL-5017PBB	29
OL-5017PBC	29
OL-5018NW	28
OL-5021NW	28
OL-5023NW	28
OL-5023PBA	28
OL-5023PBB	29
OL-5023PBC	29
OL-5024PBA	28
OL-5024PBB	29
OL-5024PBC	29
OL-5025NW	28
OL-5025PBA	28
OL-5025PBB	29
OL-5025PBC	29
OL-5026NW	28
OL-5026PBA	28
OL-5026PBB	29
OL-5026PBC	29
OL-5027PBA	28
OL-5027PBB	29
OL-5027PBC	29
OL-5033PBA	28
OL-5033PBB	29
OL-5033PBC	29
OL-5034PBA	28
OL-5034PBB	29
OL-5034PBC	29
OL-5037PBA	28
OL-5037PBB	29
OL-5037PBC	29
OL-5059NW	28
OL-5060NW	28
OL-5061NW	28
OL-5062NW	28
OL-515	22
OL-515IBP	23
OL-518	24
OL-518BPA	25
OL-518BPE	26
OL-518NW	27
OL-536	34
OL-580	22
OL-580IBP	23
OL-582	24
OL-582BPE	26
OL-582NW	27
OL-583	22
OL-583IBP	23
OL-585	24
OL-585BPA	25
OL-585BPE	26
OL-585NW	27
OL-6002	30
OL-6003	32
OL-6003BP	36
OL-6003BPR	37
OL-6003MB	35
OL-6004	30

アイテム名 Part Number	ページ Page
OL-6004IBP	31
OL-6005	32
OL-6005BP	36
OL-6005BPR	37
OL-6005MB	35
OL-6006	32
OL-6006BP	36
OL-6006BPR	37
OL-6006MB	35
OL-6008	34
OL-6015	34
OL-6033	30
OL-6034	32
OL-6034BP	36
OL-6034BPR	37
OL-6037	30
OL-6037IBP	31
OL-6038BP	36
OL-6038BPR	37
OL-6039	33
OL-6040	34
OL-6042	34
OL-6043	33
OL-6044	34
OL-6045	33
OL-6047	33
OL-6048	30
OL-6048IBP	31
OL-6049MB	35
OL-6062	30
OL-6063	32
OL-6063BP	36
OL-6063BPR	37
OL-6083	30
OL-6083IBP	31
OL-6084	32
OL-6084BP	36
OL-6084BPR	37
OL-6084MB	35
OL-6133MB	35
OL-6134	30
OL-6135BP	36
OL-6135BPR	37
OL-6219	33
OL-6225	30
OL-6225IBP	31
OL-6226BP	36
OL-6226BPR	37
OL-6226MB	35
OL-6232	30
OL-6232IBP	31
OL-6233BP	36
OL-6233BPR	37
OL-6233MB	35
OL-627	22
OL-627IBP	23
OL-628	24
OL-628BPA	25
OL-628BPE	26
OL-628NW	27
OL-632	24
OL-632BPA	25
OL-632BPE	26
OL-632NW	27
OL-6339	33
OL-634	22
OL-634IBP	23
OL-6381	33
OL-640	22
OL-640IBP	23

アイテム名 Part Number	ページ Page
OL-6425	30
OL-6426BP	36
OL-6426BPR	37
OL-6435	30
OL-6436	32
OL-646	24
OL-646BPA	25
OL-646BPE	26
OL-646NW	27
OL-680*	15
OL-6802	15
OL-6802AS15**	15
OL-6803	14
OL-68032	14
OL-6803AS15*	14
OL-680AS15*	15
OL-682*	16
OL-682AS15*	16
OL-682BP	17
OL-682BP/AS15	17
OL-682BPA	18
OL-682BPA/AS15	18
OL-682BPC	19
OL-682BPC/AS15	19
OL-682BPE	20
OL-682BPE/AS15	20
OL-682NW	21
OL-683*	15
OL-6832	15
OL-6832AS15**	15
OL-6832IBP/A	12
OL-6832IBP/E	12
OL-6832IBP/G	12
OL-6833	14
OL-68332	14
OL-6833AS15*	14
OL-6833IBPS	11
OL-6833IBPS/A	11
OL-6833IBPS/G	11
OL-6838	15
OL-6839	16
OL-6839BP	17
OL-6839BPA	18
OL-6839BPC	19
OL-6839BPE	20
OL-6839NW	21
OL-683AS15*	15
OL-685*	16
OL-6852BPA	13
OL-6852BPE	13
OL-6852BPG	13
OL-685AS15*	16
OL-685BP	17
OL-685BP/AS15	17
OL-685BPA	18
OL-685BPA/AS15	18
OL-685BPC	19
OL-685BPC/AS15	19
OL-685BPE	20
OL-685BPE/AS15	20
OL-685NW	21
OL-691	34
OL-693	34
OL-713*	15
OL-7132	15
OL-7132AS15**	15
OL-7132IBP/A	12
OL-7132IBP/E	12
OL-7132IBP/G	12
OL-7133	14

## P/N Index (3/3)

アイテム名 Part Number	ページ Page
OL-71332	14
OL-7133AS15*	14
OL-7133IBPS	11
OL-7133IBPS/A	11
OL-7133IBPS/G	11
OL-713AS15*	15
OL-714*	16
OL-7142BPA	13
OL-7142BPE	13
OL-7142BPG	13
OL-714AS15*	16
OL-714BP	17
OL-714BP/AS15	17
OL-714BPA	18
OL-714BPA/AS15	18
OL-714BPC	19
OL-714BPC/AS15	19
OL-714BPE	20
OL-714BPE/AS15	20
OL-714NW	21
OL-715*	15
OL-7152	15
OL-7152AS15**	15
OL-7152F1	15
OL-7152IBP/A	12
OL-7152IBP/E	12
OL-7152IBP/G	12
OL-7153	14
OL-71532	14
OL-7153AS15*	14
OL-7153IBPS	11
OL-7153IBPS/A	11
OL-7153IBPS/G	11
OL-715AS15*	15
OL-715F1	15
OL-718*	16
OL-7182BPA	13
OL-7182BPE	13
OL-7182BPG	13
OL-718AS15*	16
OL-718BP	17
OL-718BP/AS15	17
OL-718BPA	18
OL-718BPA/AS15	18
OL-718BPC	19
OL-718BPC/AS15	19
OL-718BPE	20
OL-718BPE/AS15	20
OL-718F1	16
OL-718F1BP	17
OL-718F1BPA	18
OL-718F1BPC	19
OL-718F1BPE	20
OL-718F1NW	21
OL-718NW	21
OL-782	32
OL-782BP	36
OL-782BPR	37
OL-783	32
OL-783BP	36
OL-783BPR	37
OL-783MB	35
OL-805	30
OL-806	30
OL-806IBP	31
OL-807	30
OL-807IBP	31
OL-815	32
OL-815BP	36
OL-815BPR	37

アイテム名 Part Number	ページ Page
OL-815MB	35
OL-8552	15
OL-8552IBP/A *	12
OL-8552IBP/E *	12
OL-8552IBP/G *	12
OL-8562BPA	13
OL-8562BPE	13
OL-8562BPG	13
OL-8918*	32
OL-8918BP	36
OL-8918BPR	37

# SML (Sub-Miniature Lamp) (1/7)

Sub-Miniature Lamps (SML) are small tungsten filament vacuum lamps. Key characteristics and terminology for these is as follows.

## I. Standard Size

Small size vacuumed lamps are called "SML" and are produced in a size (glass bulb diameter) range of 2.3~7.0mm. These lamps are normally referred to as T-1, T-1¼ etc. This refers to the bulb diameter. T-1 equates to 1/8-inch and therefore size is calculated by the following formula.

Example:

$$T-1 = 1/8\text{inch} = 25.4\text{mm} \times 1/8 = 3.175\text{mm} \rightarrow \text{Bulb diameter } 3.05\text{mm}$$

$$T-1 \frac{1}{4} = 1/8\text{inch} \times 5/4 = 25.4\text{mm} \times 1/8 \times 5/4 \doteq 3.969\text{mm} \rightarrow \text{Bulb diameter } 4.1\text{mm}$$

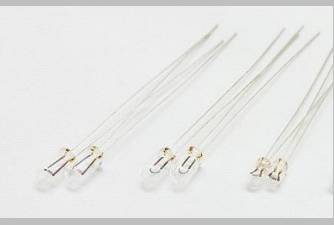



The following table shows the relationship between Standard-size vs Bulb-diameter.

T-3/4	T-1	T-1 ¼	T-1 ½	T-1 ¾	T-6.5
2.30mm	3.05mm	4.10mm	4.70mm	4.70mm 5.30mm	6.50mm

## II. Main Parts

The main components of SML products are as follows:

1. Wire Terminal
2. Base/Terminal
3. Silicone Rubber Boots

【Wire Terminal Lamp】		
【Base/Terminal】		
【Silicone Rubber Boots】		

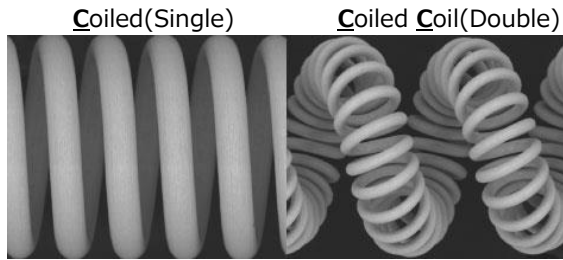
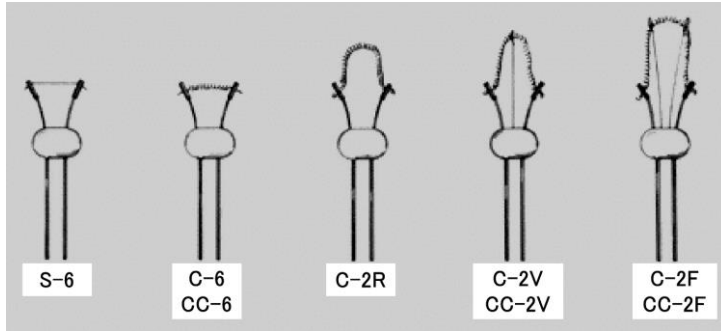
# SML (Sub-Miniature Lamp) (2/7)

## III. Filament

Our SML filament shapes are based on the global specification JIS C 7711. Please see the following table and image for reference.

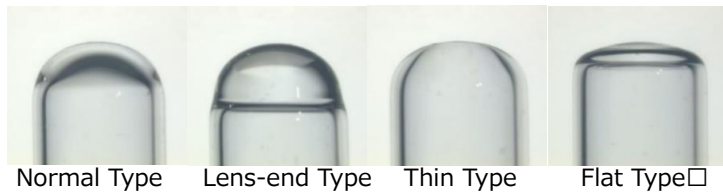
**[Filament Shape]**

Coiling \ Mounting Shape	C	CC	S
	Coiled (Single)	Coiled Coil (Double)	Straight (Uncoiled)
6 (Straight Shape)	C-6	CC-6	S-6
2V (Single Support)	C-2V	CC-2V	
2F (Double Support)	C-2F	CC-2V	
2R (Round Shape)	C-2R		



## IV. Glass Bulb

There are various shapes of glass bulbs for supporting customer's requirement.

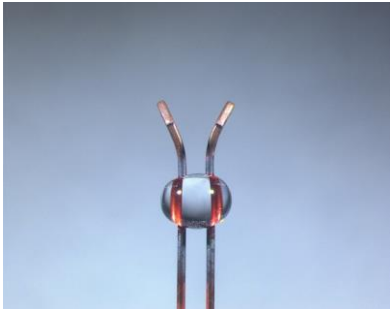


# SML (Sub-Miniature Lamp) (3/7)

## V. Wire-Terminal Manufacturing Process

### ① Welded stem

Dumet wire is welded to glass bead.



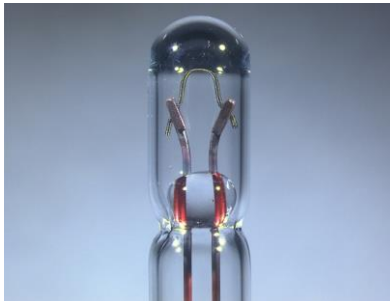
### ② Connecting filament

Filament is mounted and formed into the correct shape.



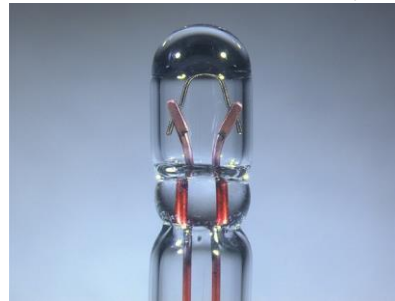
### ③ Inserting glass bulb and Vacuum

Stem ② is inserted into glass bulb and vacuum is created by exhaust machine.



### ④ Sealing

Finally, stem and glass bulb are welded with burner. Wire-Terminal is completed.



## VI. Base / Terminal

Bases/Terminals are the items covering the SML electrodes. These materials can be either plastic or metal.

<b>Plastic Bases</b>			<b>Metal Bases</b>
<b>Bi-Pin Type</b> *For PCB Assembly	<b>Neo-Wedge Type</b> *Twist-in type. Mainly used for automotive	<b>SMD Type</b> *Automated PCB mounting	*Mainly used for aviation and industrial applications.





# SML (Sub-Miniature Lamp) (4/7)

## VII. Characteristics

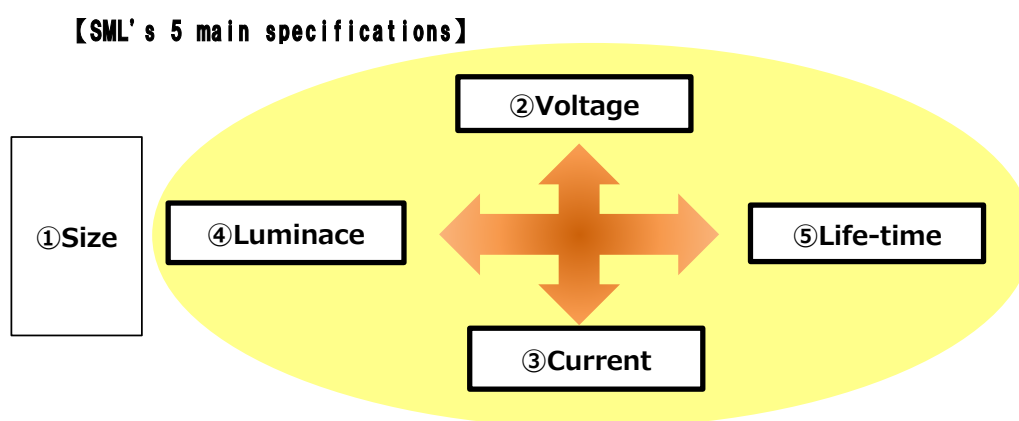
The characteristics of tungsten filament vacuum lamps are related to each other. Gaining an understanding of this relationship will help explain an SML's capabilities and limitations.

### ■The Voltage, Current, Luminance and Life-time relationship

SML's 5 main specifications are 1.Size, 2.Voltage, 3.Current, 4.Luminance, 5.Life-time.

Voltage, current, luminance and life-time are strongly inter-related. When 3 of these values are set during lamp design, the 4th is automatically decided.

For example, if you want to increase luminance, it is impossible to maintain the same voltage, current and life-time values.



### ■Relationship between Luminance and Life-time

When calculating the life-time of an SML, luminance efficiency (MSCP/Watt) has the largest impact. As life-time increases, luminance efficiency decreases and colour temperature also shifts. This is reflected in the following table.

**Table1. T-1 3/4, 28V SML**

P/N.	Current (A)	Current (W)	Luminance MSCP (cd)	Luminous Efficiency (MSCP/W)	Life-time (Hours)	Colour Temp. (K)	Filament Diameter (µm)	Filament Length (mm)
OL-1764	0.04	1.12	0.34	0.306	4,000	2,200	11.24	104.0
OL-2187	0.04	1.12	0.30	0.270	7,000	2,075	11.78	121.5
OL-2185	0.04	1.12	0.20	0.180	25,000	1,925	12.62	146.0
OL-1764LSV	0.06	1.68	0.34	0.201	25,000	2,125	15.54	151.0

※Please refer to further explanations on the next page.

Go to the next page

## VII. Characteristics (Continued from the previous page)

### ■ Relationship between luminance and life-time (Continued)

#### 1) Comparison 1. OL-2187 & OL-2185 vs OL-1764

As shown in the previous table, lamps OL-2187, OL-2185 and OL-1764 have the same electric power (28V), but OL-2187 and OL-2185 are designed to provide lower luminance than OL-1764. With lower luminance and lower colour-temperature, the filament evaporation speed for OL-2185 and OL-2187 is slower than OL-1764's. As a result, OL-2187 and OL-2185 have longer life-time than OL-1764.

When comparing OL-2185 with OL-2187, it can be seen that OL-2185 has much lower luminance and colour temperature than OL-2187 while having a much longer life-time.

#### 2) Comparison 2. OL-1764 vs OL-1764LSV

OL-1764LSV is designed not only to keep the same luminance as OL-1764 but also to provide a longer life-time than OL-1764. To achieve the same luminance and longer life-time, OL-1764LSV's filament's diameter is thicker and length are longer.

By increasing filament thickness, luminance and colour-temperature is increased and luminous efficiency is also increased. By increasing filament length, filament resistance is increased and power consumption is also increased. As a result, luminous efficiency (MSCP/Watt) is decreased.

When filament thickness and length are adjusted to get the same luminance as OL-1764, longer life-time can be achieved. However, power consumption will be increased due to lower luminous efficiency.

Comparing the 4 lamp codes in Table 1, you can see the relativity of luminance, power consumption (voltage x current) and life-time.

---

#### ● Technical Term: "Brightness"

Brightness means the amount of luminance gained when the rated voltage is applied to an SML. Generally, SML brightness is expressed by MSCP (Mean Spherical Candle Power) and light flux.

#### ● Technical Term: "MSCP / Mean Spherical Candle Power"

MSCP (Mean Spherical Candle Power) means average of candle power emitted from SML when the lamp is placed on the centre of a measuring sphere.

MSCP is usually quoted in industry and MIL standards. By using the following equation, MSCP can be converted into total light flux.

$$\ast \text{ Total Light Flux/Lumens(lm)} = \text{MSCP} \times 4\pi$$

Go to the next page

## SML (Sub-Miniature Lamp) (6/7)

### VII. Characteristics (Continued from the previous page)

#### ● About Life-Time

We would like to explain our definition of the Life-time of an SML.

There are various views on the end of life of an illumination device. For SML's, generally speaking, the status which light is no longer emitted is the end of life. Oshino Lamps also define SML's end of life as no light emission. Did you have a chance to carefully check the SML at end of life? You can see that the filament is disconnected. Do you know how filament disconnection happens? An SML is a light emission device using light from filament heated by electrical energy (a tungsten filament, whose melting point is 3,387°C, reaches around 1,800°C~2,000°C, when lit). About 85% of input energy is consumed as heat and the rest of them is converted to light. Even though the inside of a bulb is a vacuum to prevent the filament from burning out, filaments are gradually evaporated by the lamp lighting up. Eventually a lamp filament fails due to the filament becoming thinner and thinner due to evaporation until disconnection and end of life occurs.

#### ● About Averaged Life-Time

Oshino Lamps defines an SML's average life-time as a point of time when filament in 50% of samples becoming disconnected. Life-time test is performed in a test room kept at a constant temperature with no vibration and no shock on the lamp. Electrical power is then applied to the lamp and controlled with a tolerance of less than  $\pm 1\%$ .

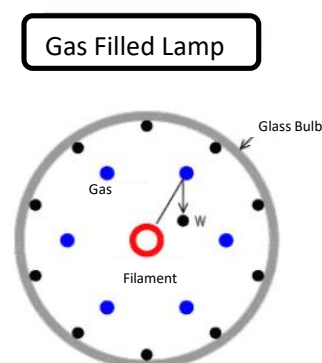
Tungsten filament wire is very thin and is formed into a complex shape and, as previously mentioned, the filament become even thinner due to the evaporation by light emission. Therefore, a filament in the last stage of life is very delicate and disconnection can occur easily with slight vibration or small shock. Life time is measured under AC (Alternating Current) power supply. If DC (Direct Current) power is applied then lamp life-time may be decreased by around 50% or more.

#### ● Reference : Gas Filled Lamp

Some lamps are filled with noble gas like Argon(Ar), Krypton (Kr), Xenon(Xe) and so on in glass bulbs.

By filling with noble gas, the tungsten evaporation is suppressed. As a result, lamp life can be extended. The effect of filling with noble gas is not only extended life-time but also to be able to apply a larger electrical current. By applying higher current, higher luminous efficiency and colour-temperature can be obtained.

If higher luminance is required, then a gas-filled lamp is recommended. If you are interest in our gas-filled lamp range, please contact us.



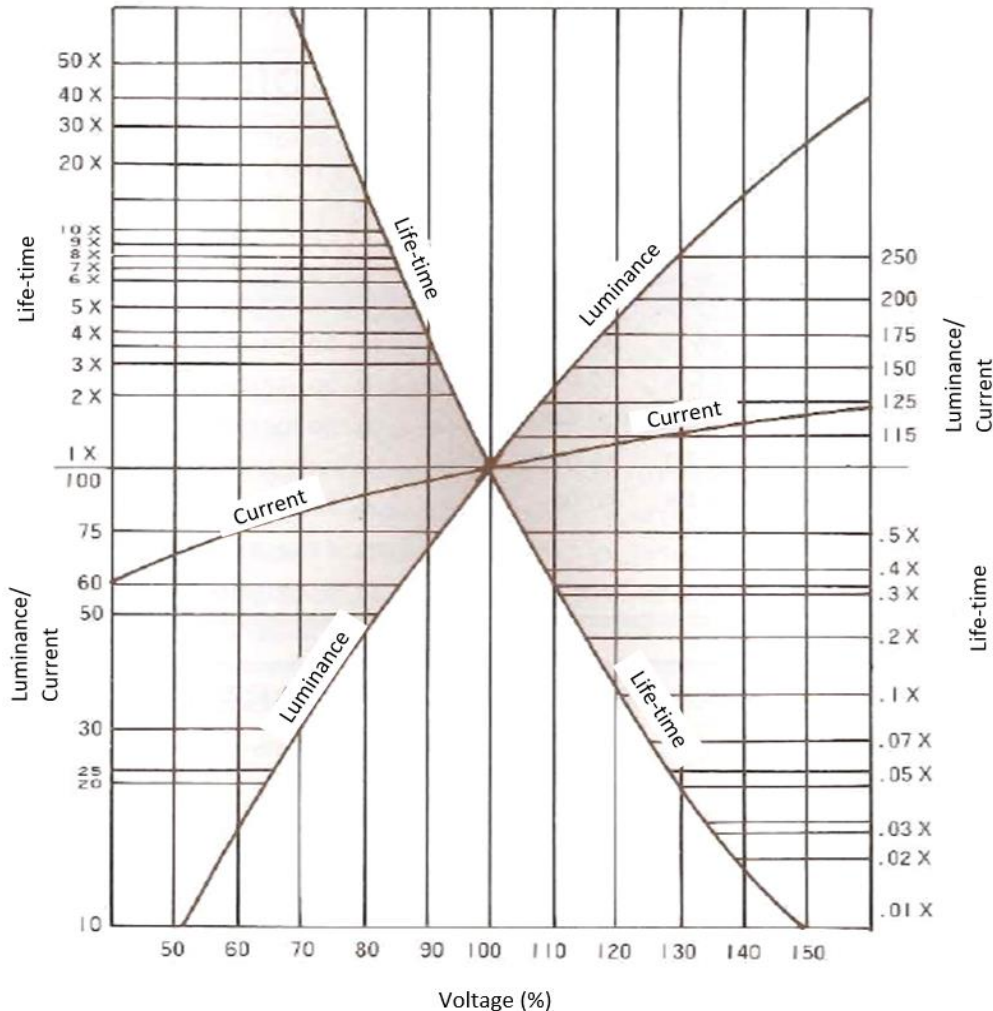
# SML (Sub-Miniature Lamp) (7/7)

## VII. Characteristics (Continued from the previous page)

### ■ Over-voltage/Low-voltage Operation

You can see the correlation of Voltage, Current, Luminance & Life-time from the following graph at over-voltage or low-voltage operation.

**【Correlation graph when used in Over-voltage/Low-voltage】**



Note: Depending on the type of SML, the curve shape in the graph can be quite different.  
This graph can be only be held true for an SML which is put on voltage (around 90-110%) and has averaged life-time less than 5,000 hours.

### ■ Surface Temperature

The surface temperature of an SML bulb is around 60°C~100°C when operating at designed voltage. The temperature depends on its wattage or luminous efficiency etc. If an SML is used in sealed case, the inner temperature in the case will increase and can provide a remarkable influence on the lamps performance.

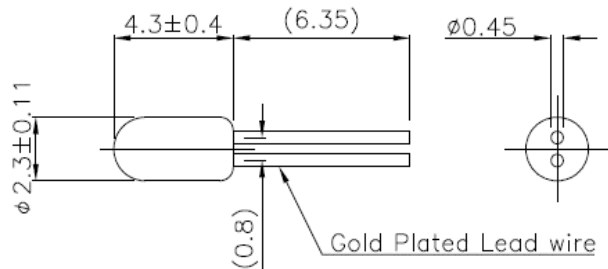
# T-3/4 IBP

## T-3/4IBPS

Pin Spacing 0.8mm

Maximum Length  
4.7mm

Oshino Lamp Numbers	Design Volt(V)	Design Amp(A)	MSCP (cd)	Filament shape
OL-2404IBPS	5.0	0.020	0.02	CC-6
OL-2400IBPS	5.0	0.021	0.034	CC-6
OL-6833IBPS	5.0	0.060	0.05	C-2R
OL-7133IBPS	5.0	0.075	0.09	C-2R
OL-7153IBPS	5.0	0.115	0.15	C-2R

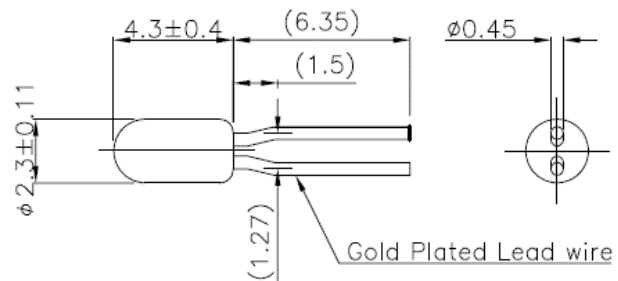


## T-3/4IBPS (Type-A)

Pin Spacing 1.27mm

Maximum Length  
4.7mm

Oshino Lamp Numbers	Design Volt(V)	Design Amp(A)	MSCP (cd)	Filament shape
OL-2404IBPS/A	5.0	0.020	0.02	CC-6
OL-2400IBPS/A	5.0	0.021	0.034	CC-6
OL-6833IBPS/A	5.0	0.060	0.05	C-2R
OL-7133IBPS/A	5.0	0.075	0.09	C-2R
OL-7153IBPS/A	5.0	0.115	0.15	C-2R

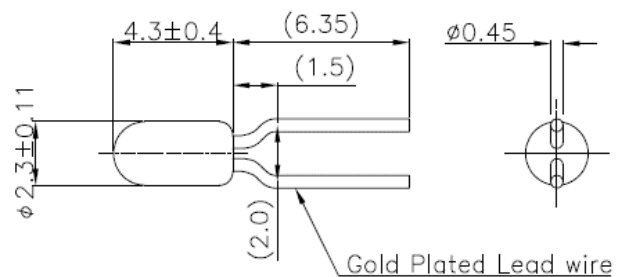


## T-3/4IBPS (Type-G)

Pin Spacing 2.0mm

Maximum Length  
4.7mm

Oshino Lamp Numbers	Design Volt(V)	Design Amp(A)	MSCP (cd)	Filament shape
OL-2404IBPS/G	5.0	0.020	0.02	CC-6
OL-2400IBPS/G	5.0	0.021	0.034	CC-6
OL-6833IBPS/G	5.0	0.060	0.05	C-2R
OL-7133IBPS/G	5.0	0.075	0.09	C-2R
OL-7153IBPS/G	5.0	0.115	0.15	C-2R



**Oshino Lamps Ltd.**

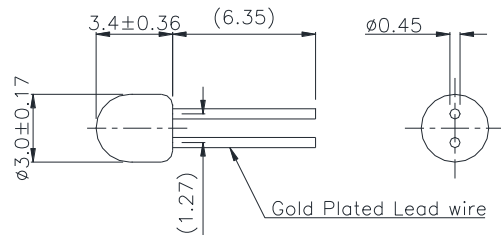
# T-1 Short IBP

## T-1 Short IBP (Type-A)

Pin Spacing 1.27mm

Maximum Length  
3.76mm

Oshino Lamp Numbers	Design Volt(V)	Design Amp(A)	MSCP (cd)	Filament shape
OL-30432IBP/A	5.0	0.020	0.02	C-2R
OL-30192IBP/A	5.0	0.021	0.034	C-2R
OL-30702IBP/A	5.0	0.060	0.15	C-2R
OL-6832IBP/A	5.0	0.060	0.05	C-2R
OL-7132IBP/A	5.0	0.075	0.09	C-2R
OL-7152IBP/A	5.0	0.115	0.15	C-2R
OL-8552IBP/A *	28.0	0.020	0.15	CC-2F



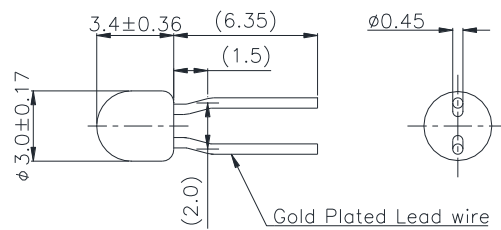
\*Maximum length 4.06mm

## T-1 Short IBP (Type-G)

Pin Spacing 2.0mm

Maximum Length  
3.76mm

Oshino Lamp Numbers	Design Volt(V)	Design Amp(A)	MSCP (cd)	Filament shape
OL-30432IBP/G	5.0	0.020	0.02	C-2R
OL-30192IBP/G	5.0	0.021	0.034	C-2R
OL-30702IBP/G	5.0	0.060	0.15	C-2R
OL-6832IBP/G	5.0	0.060	0.05	C-2R
OL-7132IBP/G	5.0	0.075	0.09	C-2R
OL-7152IBP/G	5.0	0.115	0.15	C-2R
OL-8552IBP/G *	28.0	0.020	0.15	CC-2F



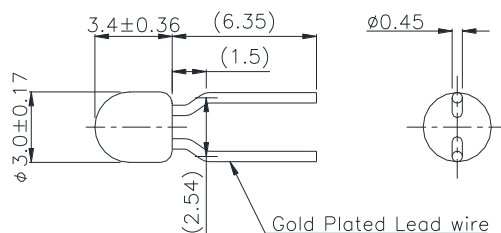
\*Maximum length 4.06mm

## T-1 Short IBP (Type-E)

Pin Spacing 2.54mm

Maximum Length  
3.76mm

Oshino Lamp Numbers	Design Volt(V)	Design Amp(A)	MSCP (cd)	Filament shape
OL-30432IBP/E	5.0	0.020	0.02	C-2R
OL-30192IBP/E	5.0	0.021	0.034	C-2R
OL-30702IBP/E	5.0	0.060	0.15	C-2R
OL-6832IBP/E	5.0	0.060	0.05	C-2R
OL-7132IBP/E	5.0	0.075	0.09	C-2R
OL-7152IBP/E	5.0	0.115	0.15	C-2R
OL-8552IBP/E *	28.0	0.020	0.15	CC-2F



\*Maximum length 4.06mm

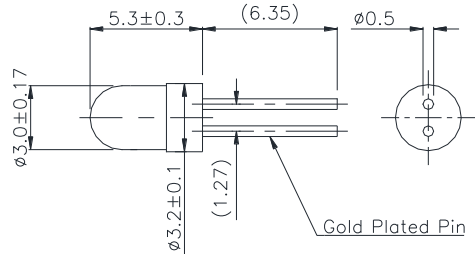
# T-1 Short Bi-Pin

## T-1 Short BPA

Pin Spacing 1.27mm

Maximum Length  
5.6mm

Oshino Lamp Numbers	Design Volt(V)	Design Amp(A)	MSCP (cd)	Filament shape
OL-30442BPA	5.0	0.020	0.02	C-2R
OL-30202BPA	5.0	0.021	0.034	C-2R
OL-30712BPA	5.0	0.060	0.15	C-2R
OL-6852BPA	5.0	0.060	0.05	C-2R
OL-7142BPA	5.0	0.075	0.09	C-2R
OL-7182BPA	5.0	0.115	0.15	C-2R
OL-8562BPA	28.0	0.020	0.15	CC-2F

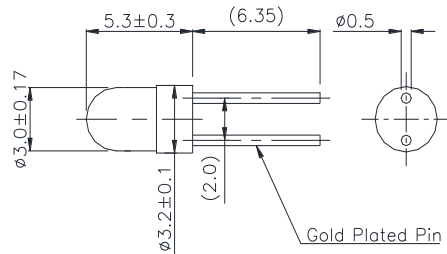


## T-1 Short BPG

Pin Spacing 2.0mm

Maximum Length  
5.6mm

Oshino Lamp Numbers	Design Volt(V)	Design Amp(A)	MSCP (cd)	Filament shape
OL-30442BPG	5.0	0.020	0.02	C-2R
OL-30202BPG	5.0	0.021	0.034	C-2R
OL-30712BPG	5.0	0.060	0.15	C-2R
OL-6852BPG	5.0	0.060	0.05	C-2R
OL-7142BPG	5.0	0.075	0.09	C-2R
OL-7182BPG	5.0	0.115	0.15	C-2R
OL-8562BPG	28.0	0.020	0.15	CC-2F

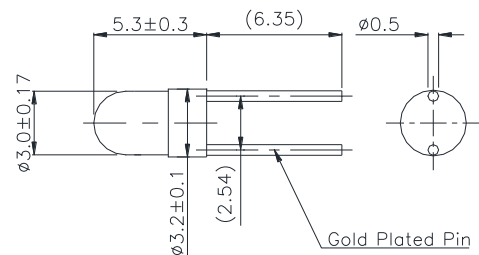


## T-1 Short BPE

Pin Spacing 2.54mm

Maximum Length  
5.6mm

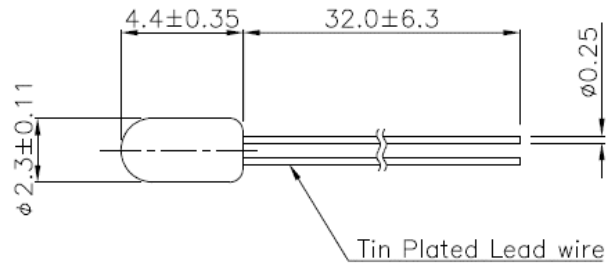
Oshino Lamp Numbers	Design Volt(V)	Design Amp(A)	MSCP (cd)	Filament shape
OL-30442BPE	5.0	0.020	0.02	C-2R
OL-30202BPE	5.0	0.021	0.034	C-2R
OL-30712BPE	5.0	0.060	0.15	C-2R
OL-6852BPE	5.0	0.060	0.05	C-2R
OL-7142BPE	5.0	0.075	0.09	C-2R
OL-7182BPE	5.0	0.115	0.15	C-2R
OL-8562BPE	28.0	0.020	0.15	CC-2F



# T-3/4 Wire Terminal

## Standard Bulb Length

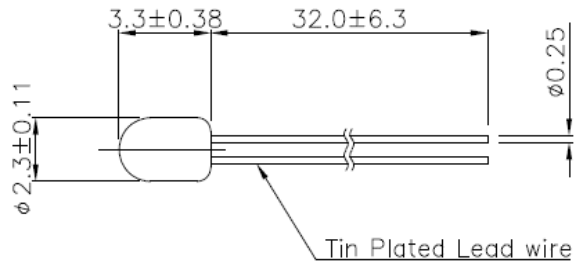
Oshino Lamp Numbers	Design Volt(V)	Design Amp(A)	MSCP (cd)	Filament shape
OL-2404	5.0	0.020	0.02	CC-6
OL-2400	5.0	0.021	0.034	CC-6
OL-2426	5.0	0.030	0.03	C-2R
OL-2415	5.0	0.040	0.025	C-2R
OL-6803	5.0	0.060	0.03	C-2R
OL-6803AS15*	5.0	0.060	0.03	C-2R
OL-6833	5.0	0.060	0.05	C-2R
OL-6833AS15*	5.0	0.060	0.05	C-2R
OL-2436	5.0	0.060	0.15	C-2R
OL-7133	5.0	0.075	0.09	C-2R
OL-7133AS15*	5.0	0.075	0.09	C-2R
OL-7153	5.0	0.115	0.15	C-2R
OL-7153AS15*	5.0	0.115	0.15	C-2R
OL-2449	5.0	0.115	0.2	C-2R
OL-2411	5.0	0.125	0.22	C-2R



\*U.S Military Standard MS90452

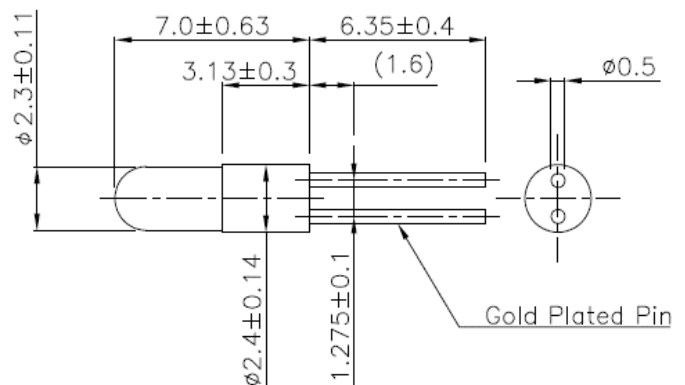
## Short Bulb Length

OL-24042	5.0	0.020	0.02	CC-6
OL-68032	5.0	0.060	0.03	C-2R
OL-68332	5.0	0.060	0.05	C-2R
OL-24362	5.0	0.060	0.15	C-2R
OL-71332	5.0	0.075	0.09	C-2R
OL-71532	5.0	0.115	0.15	C-2R
OL-24112	5.0	0.125	0.22	C-2R



# T-3/4 Bi-Pin

Oshino Lamp Numbers	Design Volt(V)	Design Amp(A)	MSCP (cd)	Filament shape
OL-2405BP	5.0	0.020	0.02	CC-6
OL-2401BP	5.0	0.021	0.034	CC-6
OL-2427BP	5.0	0.030	0.03	C-2R
OL-2416BP	5.0	0.040	0.025	C-2R
OL-8587BP	5.0	0.060	0.03	C-2R
OL-8913BP	5.0	0.060	0.05	C-2R
OL-2437BP	5.0	0.060	0.15	C-2R
OL-8828BP	5.0	0.075	0.09	C-2R
OL-8270BP	5.0	0.115	0.15	C-2R

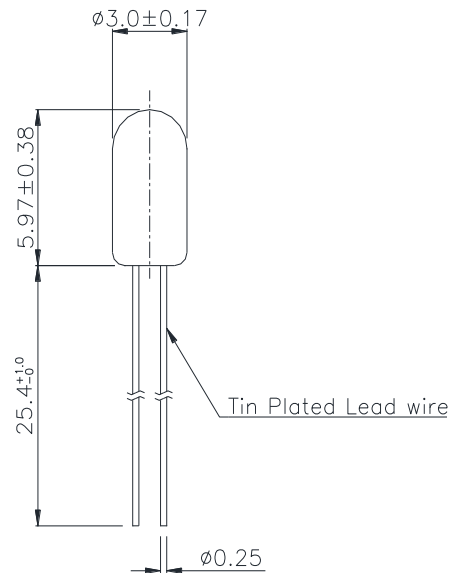




# T-1 Wire Terminal

## Standard Bulb Length

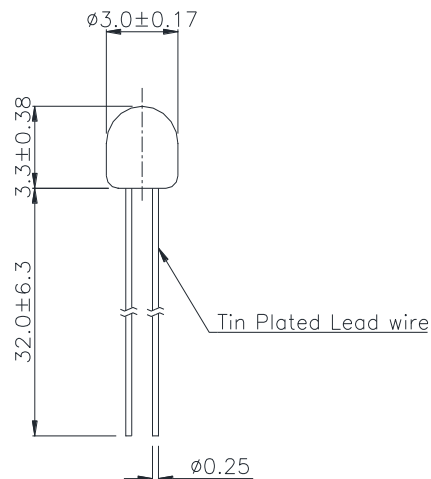
Oshino Lamp Numbers	Design Volt(V)	Design Amp(A)	MSCP (cd)	Filament shape
OL-3037	3.0	0.040	0.03	C-2R
OL-3010	3.0	0.060	0.03	C-2R
OL-3043	5.0	0.020	0.02	C-2R
OL-3019	5.0	0.021	0.034	C-2R
OL-3056	5.0	0.030	0.03	C-2R
OL-3009	5.0	0.040	0.025	C-2R
OL-680*	5.0	0.060	0.03	C-2R
OL-680AS15*	5.0	0.060	0.03	C-2R
OL-683*	5.0	0.060	0.05	C-2R
OL-683AS15*	5.0	0.060	0.05	C-2R
OL-3070	5.0	0.060	0.15	C-2R
OL-713*	5.0	0.075	0.09	C-2R
OL-713AS15*	5.0	0.075	0.09	C-2R
OL-715*	5.0	0.115	0.15	C-2R
OL-715AS15*	5.0	0.115	0.15	C-2R
OL-715F1	5.0	0.125	0.22	C-2R
OL-3093	6.0	0.040	0.04	C-2R
OL-3041	6.0	0.060	0.13	C-2R
OL-1088	10.0	0.027	0.09	C-2F
OL-3023	12.0	0.030	0.1	C-2F
OL-1089	12.0	0.060	0.15	C-2F
OL-3228	14.0	0.040	0.15	C-2F
OL-1111	14.0	0.065	0.15	C-2F
OL-1092	18.0	0.026	0.15	C-2F
OL-3091	28.0	0.020	0.05	C-2F
OL-6838	28.0	0.024	0.15	C-2F



\*U.S Military Standard MS24367

## Short Bulb Length

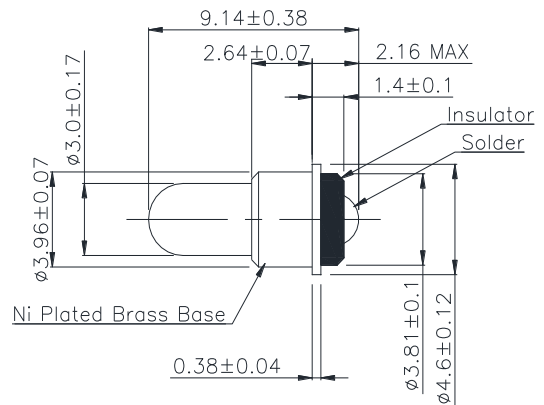
OL-6802	5.0	0.060	0.03	C-2R
OL-6802AS15**	5.0	0.060	0.03	C-2R
OL-6832	5.0	0.060	0.05	C-2R
OL-6832AS15**	5.0	0.060	0.05	C-2R
OL-30702	5.0	0.060	0.15	C-2R
OL-7132	5.0	0.075	0.09	C-2R
OL-7132AS15**	5.0	0.075	0.09	C-2R
OL-7152	5.0	0.115	0.15	C-2R
OL-7152AS15**	5.0	0.115	0.15	C-2R
OL-7152F1	5.0	0.125	0.22	C-2R
OL-8552	28.0	0.020	0.15	CC-2F



\*\*U.S Military Standard MS90451

# T-1 Sub-Midget Flanged

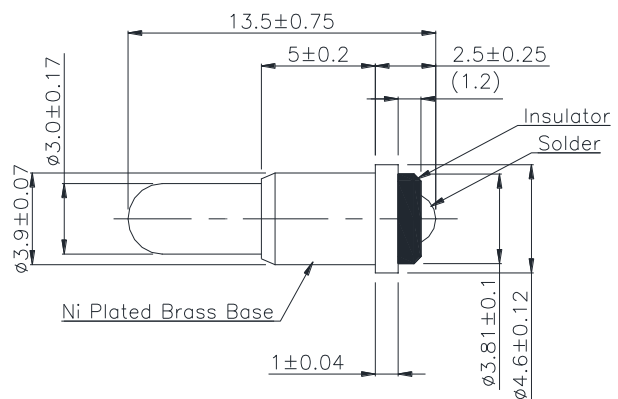
Oshino Lamp Numbers	Design Volt(V)	Design Amp(A)	MSCP (cd)	Filament shape
OL-3038	3.0	0.040	0.03	C-2R
OL-3008	3.0	0.060	0.03	C-2R
OL-3044	5.0	0.020	0.02	C-2R
OL-3020	5.0	0.021	0.034	C-2R
OL-3057	5.0	0.030	0.03	C-2R
OL-3007	5.0	0.040	0.025	C-2R
OL-682*	5.0	0.060	0.03	C-2R
OL-682AS15*	5.0	0.060	0.03	C-2R
OL-685*	5.0	0.060	0.05	C-2R
OL-685AS15*	5.0	0.060	0.05	C-2R
OL-3071	5.0	0.060	0.15	C-2R
OL-714*	5.0	0.075	0.09	C-2R
OL-714AS15*	5.0	0.075	0.09	C-2R
OL-718*	5.0	0.115	0.15	C-2R
OL-718AS15*	5.0	0.115	0.15	C-2R
OL-718F1	5.0	0.125	0.22	C-2R
OL-3094	6.0	0.040	0.04	C-2R
OL-3042	6.0	0.060	0.13	C-2R
OL-1098	10.0	0.027	0.09	C-2F
OL-3024	12.0	0.030	0.1	C-2F
OL-1099	12.0	0.060	0.15	C-2F
OL-3229	14.0	0.040	0.15	C-2F
OL-1112	14.0	0.065	0.15	C-2F
OL-1100	18.0	0.026	0.15	C-2F
OL-3092	28.0	0.020	0.05	CC-2F
OL-6839	28.0	0.024	0.15	CC-2F



\*U.S Military Standard MS24515

## French Norm

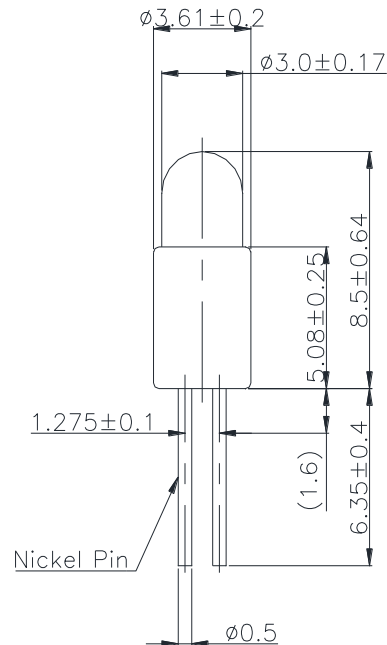
OL-3104	5.0	0.060	0.05	C-2R
OL-3106	5.0	0.115	0.15	C-2R
OL-3109	12.0	0.060	0.15	C-2F
OL-3111	18.0	0.026	0.15	C-2F
OL-3112	28.0	0.024	0.15	CC-2F
OL-3115	28.0	0.040	0.3	CC-2F



# T-1 Bi-Pin (Standard)

Maximum Diameter 3.81mm Pin Spacing 1.275mm

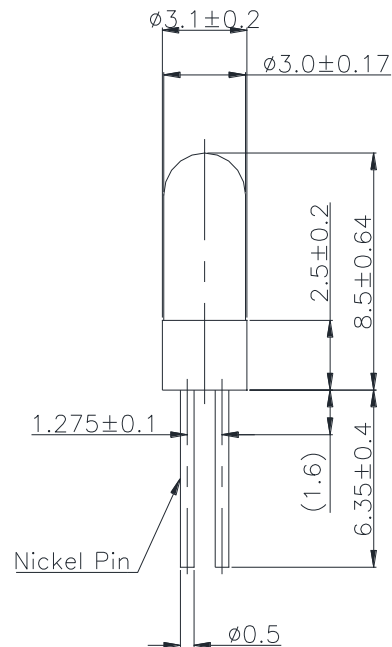
Oshino Lamp Numbers	Design Volt(V)	Design Amp(A)	MSCP (cd)	Filament shape
OL-3038BP	3.0	0.040	0.03	C-2R
OL-3008BP	3.0	0.060	0.03	C-2R
OL-3044BP	5.0	0.020	0.02	C-2R
OL-3020BP	5.0	0.021	0.034	C-2R
OL-3057BP	5.0	0.030	0.03	C-2R
OL-3007BP	5.0	0.040	0.025	C-2R
OL-682BP	5.0	0.060	0.03	C-2R
OL-682BP/AS15	5.0	0.060	0.03	C-2R
OL-685BP	5.0	0.060	0.05	C-2R
OL-685BP/AS15	5.0	0.060	0.05	C-2R
OL-3071BP	5.0	0.060	0.15	C-2R
OL-714BP	5.0	0.075	0.09	C-2R
OL-714BP/AS15	5.0	0.075	0.09	C-2R
OL-718BP	5.0	0.115	0.15	C-2R
OL-718BP/AS15	5.0	0.115	0.15	C-2R
OL-718F1BP	5.0	0.125	0.22	C-2R
OL-3094BP	6.0	0.040	0.04	C-2R
OL-3042BP	6.0	0.060	0.13	C-2R
OL-1098BP	10.0	0.027	0.09	C-2F
OL-3024BP	12.0	0.030	0.1	C-2F
OL-1099BP	12.0	0.060	0.15	C-2F
OL-3229BP	14.0	0.040	0.15	C-2F
OL-1112BP	14.0	0.065	0.15	C-2F
OL-1100BP	18.0	0.026	0.15	C-2F
OL-3092BP	28.0	0.020	0.05	CC-2F
OL-6839BP	28.0	0.024	0.15	CC-2F



# T-1 Bi-Pin (Type-A)

Maximum Diameter 3.3mm Pin Spacing 1.275mm

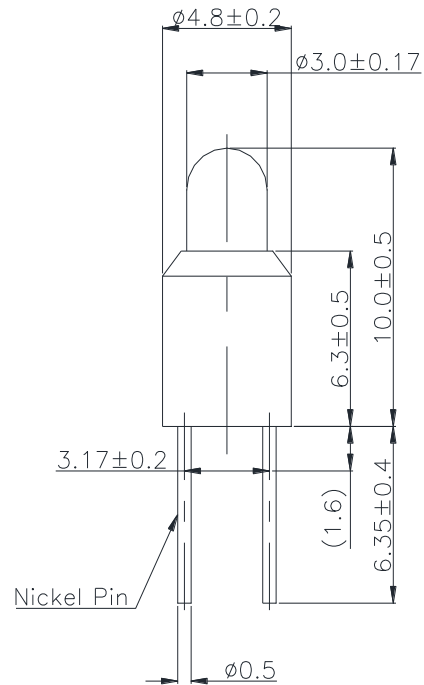
Oshino Lamp Numbers	Design Volt(V)	Design Amp(A)	MSCP (cd)	Filament shape
OL-3038BPA	3.0	0.040	0.03	C-2R
OL-3008BPA	3.0	0.060	0.03	C-2R
OL-3044BPA	5.0	0.020	0.02	C-2R
OL-3020BPA	5.0	0.021	0.034	C-2R
OL-3057BPA	5.0	0.030	0.03	C-2R
OL-3007BPA	5.0	0.040	0.025	C-2R
OL-682BPA	5.0	0.060	0.03	C-2R
OL-682BPA/AS15	5.0	0.060	0.03	C-2R
OL-685BPA	5.0	0.060	0.05	C-2R
OL-685BPA/AS15	5.0	0.060	0.05	C-2R
OL-3071BPA	5.0	0.060	0.15	C-2R
OL-714BPA	5.0	0.075	0.09	C-2R
OL-714BPA/AS15	5.0	0.075	0.09	C-2R
OL-718BPA	5.0	0.115	0.15	C-2R
OL-718BPA/AS15	5.0	0.115	0.15	C-2R
OL-718F1BPA	5.0	0.125	0.22	C-2R
OL-3094BPA	6.0	0.040	0.04	C-2R
OL-3042BPA	6.0	0.060	0.13	C-2R
OL-1098BPA	10.0	0.027	0.09	C-2F
OL-3024BPA	12.0	0.030	0.1	C-2F
OL-1099BPA	12.0	0.060	0.15	C-2F
OL-3229BPA	14.0	0.040	0.15	C-2F
OL-1112BPA	14.0	0.065	0.15	C-2F
OL-1100BPA	18.0	0.026	0.15	C-2F
OL-3092BPA	28.0	0.020	0.05	CC-2F
OL-6839BPA	28.0	0.024	0.15	CC-2F



# T-1 Bi-Pin (Type-C)

Maximum Diameter 5mm Pin Spacing 3.17mm

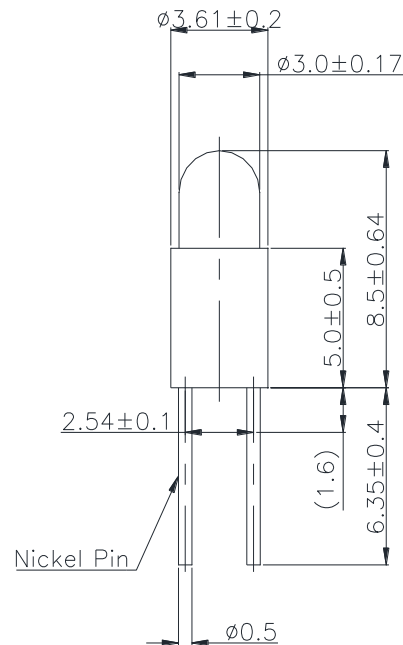
Oshino Lamp Numbers	Design Volt(V)	Design Amp(A)	MSCP (cd)	Filament shape
OL-3038BPC	3.0	0.040	0.03	C-2R
OL-3008BPC	3.0	0.060	0.03	C-2R
OL-3044BPC	5.0	0.020	0.02	CC-6
OL-3020BPC	5.0	0.021	0.034	C-2R
OL-3057BPC	5.0	0.030	0.03	C-2R
OL-3007BPC	5.0	0.040	0.025	C-2R
OL-682BPC	5.0	0.060	0.03	C-2R
OL-682BPC/AS15	5.0	0.060	0.03	C-2R
OL-685BPC	5.0	0.060	0.05	C-2R
OL-685BPC/AS15	5.0	0.060	0.05	C-2R
OL-3071BPC	5.0	0.060	0.15	C-2R
OL-714BPC	5.0	0.075	0.09	C-2R
OL-714BPC/AS15	5.0	0.075	0.09	C-2R
OL-718BPC	5.0	0.115	0.15	C-2R
OL-718BPC/AS15	5.0	0.115	0.15	C-2R
OL-718F1BPC	5.0	0.125	0.22	C-2R
OL-3094BPC	6.0	0.040	0.04	C-2R
OL-3042BPC	6.0	0.060	0.13	C-2R
OL-1098BPC	10.0	0.027	0.09	C-2F
OL-3024BPC	12.0	0.030	0.1	C-2F
OL-1099BPC	12.0	0.060	0.15	C-2F
OL-3229BPC	14.0	0.040	0.15	C-2F
OL-1112BPC	14.0	0.065	0.15	C-2F
OL-1100BPC	18.0	0.026	0.15	C-2F
OL-3092BPC	28.0	0.020	0.05	CC-2F
OL-6839BPC	28.0	0.024	0.15	CC-2F



# T-1 Bi-Pin (Type-E)

**Maximum Diameter 3.81mm Pin Spacing 2.54mm**

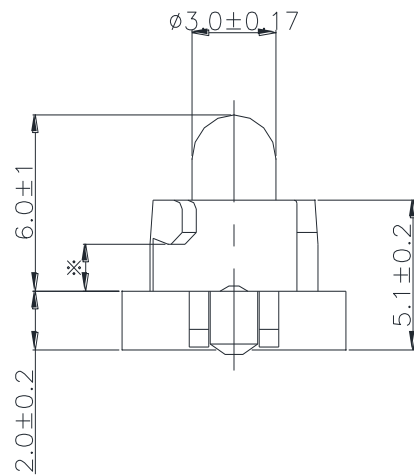
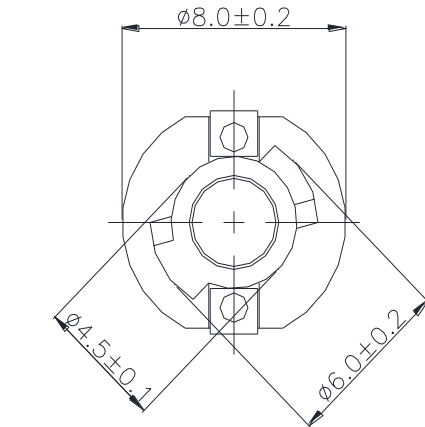
Oshino Lamp Numbers	Design Volt(V)	Design Amp(A)	MSCP (cd)	Filament shape
OL-3038BPE	3.0	0.040	0.03	C-2R
OL-3008BPE	3.0	0.060	0.03	C-2R
OL-3044BPE	5.0	0.020	0.02	CC-6
OL-3020BPE	5.0	0.021	0.034	C-2R
OL-3057BPE	5.0	0.030	0.03	C-2R
OL-3007BPE	5.0	0.040	0.025	C-2R
OL-682BPE	5.0	0.060	0.03	C-2R
OL-682BPE/AS15	5.0	0.060	0.03	C-2R
OL-685BPE	5.0	0.060	0.05	C-2R
OL-685BPE/AS15	5.0	0.060	0.05	C-2R
OL-3071BPE	5.0	0.060	0.15	C-2R
OL-714BPE	5.0	0.075	0.09	C-2R
OL-714BPE/AS15	5.0	0.075	0.09	C-2R
OL-718BPE	5.0	0.115	0.15	C-2R
OL-718BPE/AS15	5.0	0.115	0.15	C-2R
OL-718F1BPE	5.0	0.125	0.22	C-2R
OL-3094BPE	6.0	0.040	0.04	C-2R
OL-3042BPE	6.0	0.060	0.13	C-2R
OL-1098BPE	10.0	0.027	0.09	C-2F
OL-3024BPE	12.0	0.030	0.1	C-2F
OL-1099BPE	12.0	0.060	0.15	C-2F
OL-3229BPE	14.0	0.040	0.15	C-2F
OL-1112BPE	14.0	0.065	0.15	C-2F
OL-1100BPE	18.0	0.026	0.15	C-2F
OL-3092BPE	28.0	0.020	0.05	CC-2F
OL-6839BPE	28.0	0.024	0.15	CC-2F



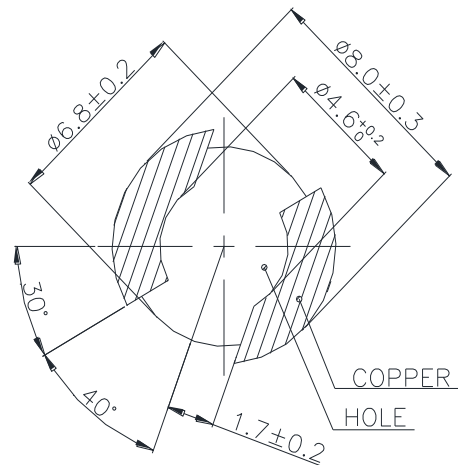
# T-1 Neowedge

## Base Diameter 8mm

Oshino Lamp Numbers	Design Volt(V)	Design Amp(A)	MSCP (cd)	Filament shape
OL-3007NW	5.0	0.040	0.025	C-2R
OL-682NW	5.0	0.060	0.03	C-2R
OL-685NW	5.0	0.060	0.05	C-2R
OL-3071NW	5.0	0.060	0.15	C-2R
OL-714NW	5.0	0.075	0.09	C-2R
OL-718NW	5.0	0.115	0.15	C-2R
OL-718F1NW	5.0	0.125	0.22	C-2R
OL-3094NW	6.0	0.040	0.04	C-2R
OL-3042NW	6.0	0.060	0.13	C-2R
OL-1098NW	10.0	0.027	0.09	C-2F
OL-3024NW	12.0	0.030	0.1	C-2F
OL-1099NW	12.0	0.060	0.15	C-2F
OL-3507NW	12.0	0.060	0.2	C-2F
OL-3480NW	14.0	0.040	0.05	C-2F
OL-3229NW	14.0	0.040	0.15	C-2F
OL-1112NW	14.0	0.065	0.15	C-2F
OL-1100NW	18.0	0.026	0.15	C-2F
OL-3317NW	18.0	0.035	0.15	C-2F
OL-3092NW	28.0	0.020	0.05	CC-2F
OL-6839NW	28.0	0.024	0.15	CC-2F



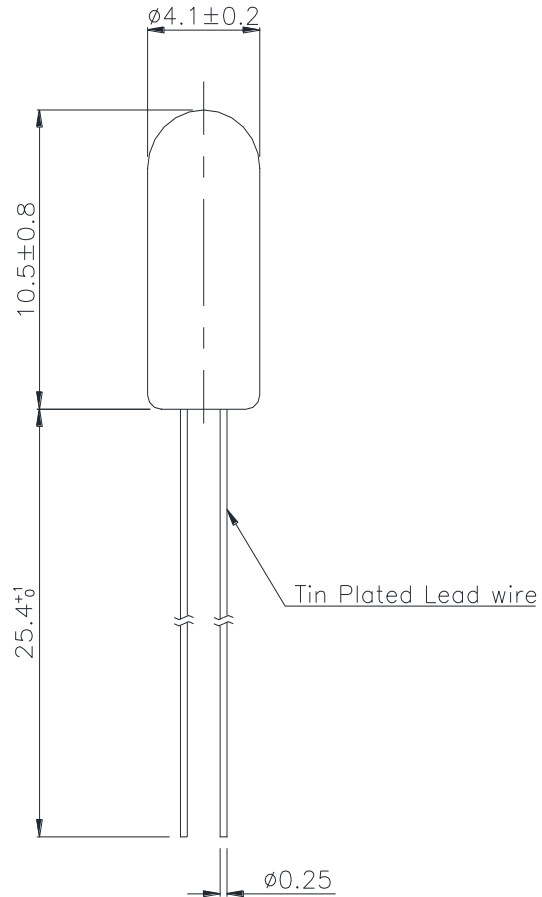
※ PCB THICKNESS 1.45mm~1.65mm



Oshino Lamps Ltd.

# T-1 1/4 Wire Terminal

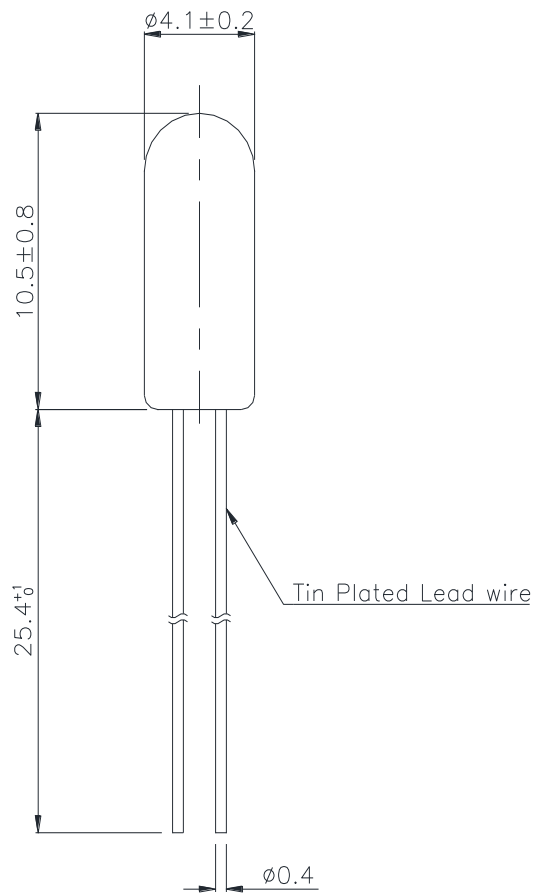
Oshino Lamp Numbers	Design Volt(V)	Design Amp(A)	MSCP (cd)	Filament shape
OL-580	5.0	0.060	0.03	C-2R
OL-583	5.0	0.060	0.05	C-2R
OL-4003	5.0	0.075	0.09	C-2R
OL-515	5.0	0.115	0.15	C-2R
OL-634	6.0	0.200	0.63	C-2R
OL-4031	12.0	0.040	0.12	C-2F
OL-4054	12.0	0.060	0.15	C-2F
OL-4193	12.0	0.100	0.36	C-2F
OL-4369	13.5	0.048	0.06	C-2F
OL-4341	14.0	0.040	0.08	C-2F
OL-4239	14.0	0.040	0.15	C-2F
OL-4168	14.0	0.067	0.175	C-2F
OL-640	14.0	0.080	0.3	C-2F
OL-4029	14.0	0.080	0.5	C-2F
OL-4185	14.0	0.100	0.5	C-2F
OL-4300	14.0	0.100	0.7	C-2F
OL-4388	14.0	0.115	0.6	C-2F
OL-4073	28.0	0.024	0.15	C-2F
OL-4132	28.0	0.040	0.2	C-2F
OL-4008	28.0	0.040	0.3	C-2F
OL-627	28.0	0.040	0.34	C-2F





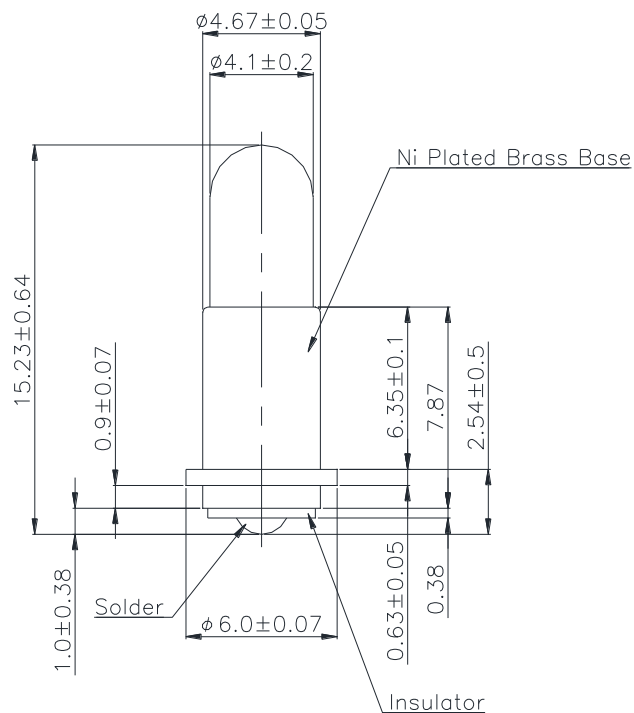
# T-1 1/4 IBP $\phi 0.4\text{mm}(.016\text{'})\text{Pins}$

Oshino Lamp Numbers	Design Volt(V)	Design Amp(A)	MSCP (cd)	Filament shape
OL-580IBP	5.0	0.060	0.03	C-2R
OL-583IBP	5.0	0.060	0.05	C-2R
OL-4003IBP	5.0	0.075	0.09	C-2R
OL-5151BP	5.0	0.115	0.15	C-2R
OL-634IBP	6.0	0.200	0.63	C-2R
OL-4031IBP	12.0	0.040	0.12	C-2F
OL-4239IBP	14.0	0.040	0.15	C-2F
OL-4168IBP	14.0	0.067	0.175	C-2F
OL-640IBP	14.0	0.080	0.3	C-2F
OL-4029IBP	14.0	0.080	0.5	C-2F
OL-4185IBP	14.0	0.100	0.5	C-2F
OL-4073IBP	28.0	0.024	0.15	C-2F
OL-4132IBP	28.0	0.040	0.2	C-2F
OL-4008IBP	28.0	0.040	0.3	C-2F
OL-627IBP	28.0	0.040	0.34	C-2F



# T-1 1/4 Midget Flanged (Special)

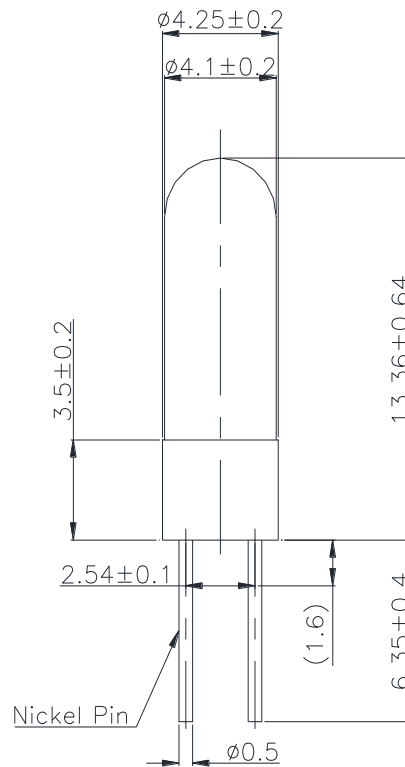
Oshino Lamp Numbers	Design Volt(V)	Design Amp(A)	MSCP (cd)	Filament shape
OL-582	5.0	0.060	0.03	C-2R
OL-585	5.0	0.060	0.05	C-2R
OL-4004	5.0	0.075	0.09	C-2R
OL-518	5.0	0.115	0.15	C-2R
OL-628	6.0	0.200	0.63	C-2R
OL-4032	12.0	0.040	0.12	C-2F
OL-4030	14.0	0.080	0.3	C-2F
OL-646	14.0	0.080	0.5	C-2F
OL-4074	28.0	0.024	0.15	C-2F
OL-4133	28.0	0.040	0.2	C-2F
OL-4009	28.0	0.040	0.3	C-2F
OL-632	28.0	0.040	0.34	C-2F



# T-1 1/4 Bi-Pin (Type-A)

Maximum Diameter 4.45mm Pin Spacing 2.54mm

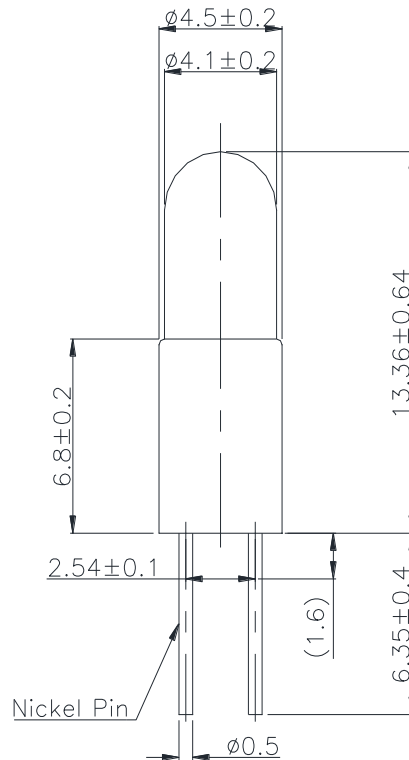
Oshino Lamp Numbers	Design Volt(V)	Design Amp(A)	MSCP (cd)	Filament shape
OL-585BPA	5.0	0.060	0.05	C-2R
OL-4004BPA	5.0	0.075	0.09	C-2R
OL-518BPA	5.0	0.115	0.15	C-2R
OL-4042BPA	6.0	0.040	0.04	C-2V
OL-4015BPA	6.0	0.060	0.13	C-2R
OL-628BPA	6.0	0.200	0.63	C-2R
OL-4032BPA	12.0	0.040	0.12	C-2F
OL-4030BPA	14.0	0.080	0.3	C-2F
OL-646BPA	14.0	0.080	0.5	C-2F
OL-4097BPA	16.0	0.030	0.034	C-2F
OL-4060BPA	24.0	0.035	0.13	C-2F
OL-4074BPA	28.0	0.024	0.15	C-2F
OL-4133BPA	28.0	0.040	0.2	C-2F
OL-4009BPA	28.0	0.040	0.3	C-2F
OL-632BPA	28.0	0.040	0.34	C-2F



# T-1 1/4 Bi-Pin (Type-E)

Maximum Diameter 4.7mm Pin Spacing 2.54mm

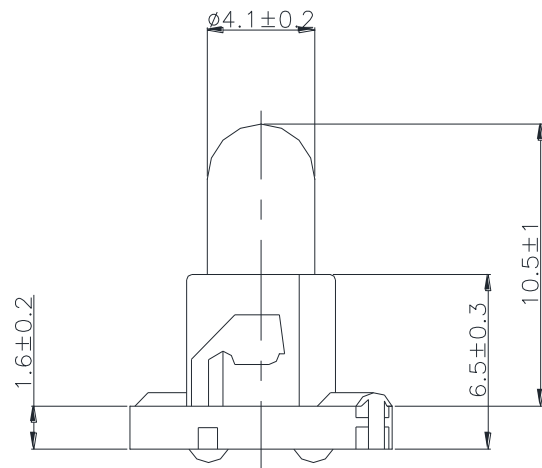
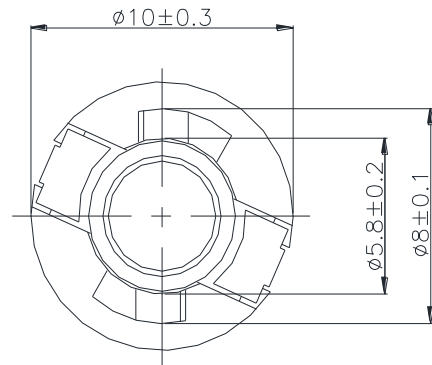
Oshino Lamp Numbers	Design Volt(V)	Design Amp(A)	MSCP (cd)	Filament shape
OL-582BPE	5.0	0.060	0.03	C-2R
OL-585BPE	5.0	0.060	0.05	C-2R
OL-4004BPE	5.0	0.075	0.09	C-2R
OL-518BPE	5.0	0.115	0.15	C-2R
OL-628BPE	6.0	0.200	0.63	C-2R
OL-4032BPE	12.0	0.040	0.12	C-2F
OL-4240BPE	14.0	0.040	0.15	C-2F
OL-4222BPE	14.0	0.067	0.175	C-2F
OL-4030BPE	14.0	0.080	0.3	C-2F
OL-646BPE	14.0	0.080	0.5	C-2F
OL-4074BPE	28.0	0.024	0.15	C-2F
OL-4133BPE	28.0	0.040	0.2	C-2F
OL-4009BPE	28.0	0.040	0.3	C-2F
OL-632BPE	28.0	0.040	0.34	C-2F



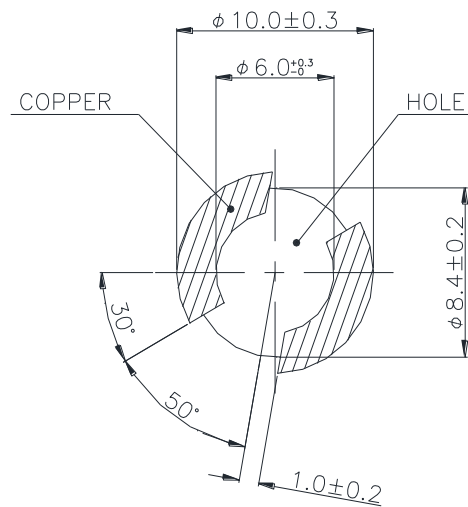
# T-1 1/4 Neowedge

## Base Diameter 10mm

Oshino Lamp Numbers	Design Volt(V)	Design Amp(A)	MSCP (cd)	Filament shape
OL-582NW	5.0	0.060	0.03	C-2R
OL-585NW	5.0	0.060	0.05	C-2R
OL-4004NW	5.0	0.075	0.09	C-2R
OL-518NW	5.0	0.115	0.15	C-2R
OL-628NW	6.0	0.200	0.63	C-2R
OL-4032NW	12.0	0.040	0.12	C-2F
OL-4106NW	12.0	0.060	0.15	C-2F
OL-4194NW	12.0	0.100	0.36	C-2F
OL-4370NW	13.5	0.048	0.06	C-2F
OL-4342NW	14.0	0.040	0.08	C-2F
OL-4240NW	14.0	0.040	0.15	C-2F
OL-4030NW	14.0	0.080	0.3	C-2F
OL-646NW	14.0	0.080	0.5	C-2F
OL-4186NW	14.0	0.100	0.5	C-2F
OL-4301NW	14.0	0.100	0.7	C-2F
OL-4389NW	14.0	0.115	0.6	C-2F
OL-4074NW	28.0	0.024	0.15	C-2F
OL-4133NW	28.0	0.040	0.2	C-2F
OL-4009NW	28.0	0.040	0.3	C-2F
OL-632NW	28.0	0.040	0.34	C-2F



PCB THICKNESS 1.45~1.65mm

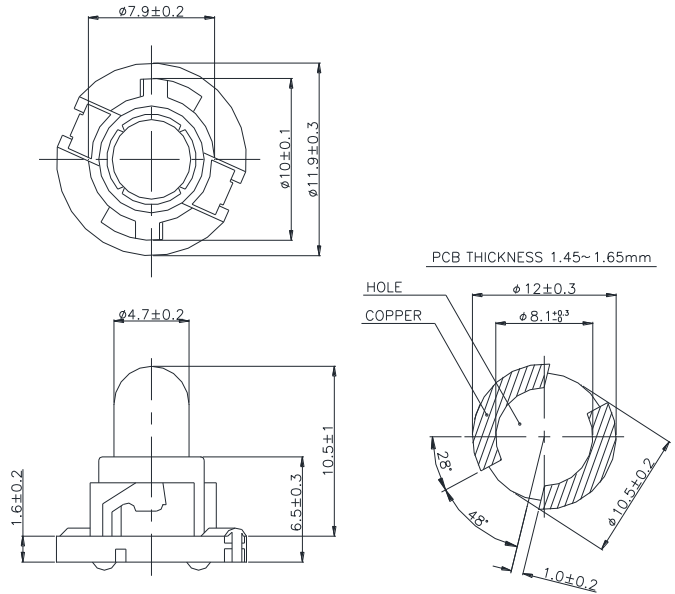


Oshino Lamps Ltd.

# T-1 1/2 Neowedge

## Base Diameter 11.9mm

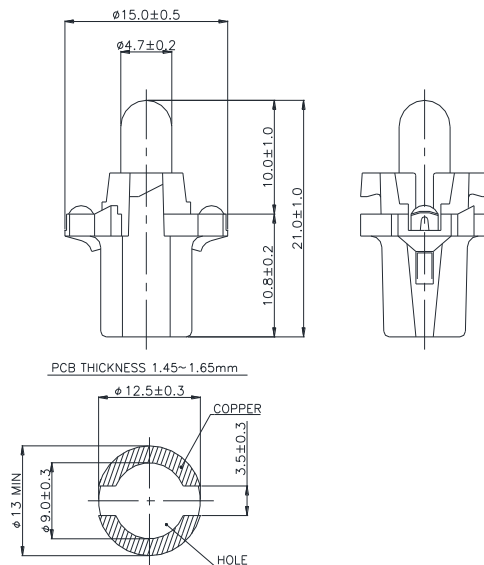
Oshino Lamp Numbers	Design Volt(V)	Design Amp(A)	MSCP (cd)	Filament shape
OL-5061NW	5.0	0.060	0.03	C-2R
OL-5001NW	5.0	0.060	0.05	C-2R
OL-5062NW	5.0	0.060	0.15	C-2R
OL-5002NW	5.0	0.115	0.15	C-2R
OL-5023NW	6.0	0.060	0.13	C-2R
OL-5013NW	6.0	0.200	0.63	C-2R
OL-5006NW	12.0	0.040	0.12	C-2F
OL-5025NW	12.0	0.060	0.15	C-2F
OL-5059NW	14.0	0.040	0.15	C-2F
OL-5015NW	14.0	0.080	0.3	C-2F
OL-5014NW	14.0	0.080	0.5	C-2F
OL-5021NW	14.0	0.100	0.5	C-2F
OL-5026NW	24.0	0.035	0.13	C-2F
OL-5060NW	28.0	0.024	0.15	C-2F
OL-5018NW	28.0	0.040	0.2	C-2F
OL-5017NW	28.0	0.040	0.3	C-2F
OL-5016NW	28.0	0.040	0.34	C-2F



# T-1 1/2 P.C.Board Bayonet (Type-A)

## Single Contact

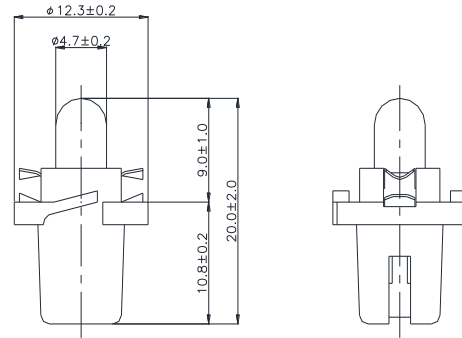
Oshino Lamp Numbers	Design Volt(V)	Design Amp(A)	MSCP (cd)	Filament shape
OL-5001PBA	5.0	0.060	0.05	C-2R
OL-5002PBA	5.0	0.115	0.15	C-2R
OL-5023PBA	6.0	0.060	0.13	C-2R
OL-5024PBA	6.3	0.200	0.55	C-2R
OL-5025PBA	12.0	0.060	0.15	C-2F
OL-5033PBA	12.0	0.100	0.36	C-2F
OL-5034PBA	12.0	0.150	0.45	C-2F
OL-5037PBA	14.0	0.067	0.175	C-2F
OL-5015PBA	14.0	0.080	0.3	C-2F
OL-5026PBA	24.0	0.035	0.13	C-2F
OL-5027PBA	24.0	0.050	0.5	C-2F
OL-5017PBA	28.0	0.040	0.3	C-2F



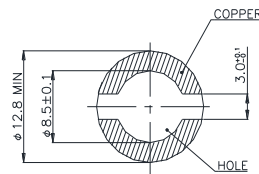
# T-1 1/2 P.C.Board Bayonet (Type-B)

## Double Contact

Oshino Lamp Numbers	Design Volt(V)	Design Amp(A)	MSCP (cd)	Filament shape
OL-5001PBB	5.0	0.060	0.05	C-2R
OL-5002PBB	5.0	0.115	0.15	C-2R
OL-5023PBB	6.0	0.060	0.13	C-2R
OL-5024PBB	6.3	0.200	0.55	C-2R
OL-5025PBB	12.0	0.060	0.15	C-2F
OL-5033PBB	12.0	0.100	0.36	C-2F
OL-5034PBB	12.0	0.150	0.45	C-2F
OL-5037PBB	14.0	0.067	0.175	C-2F
OL-5015PBB	14.0	0.080	0.3	C-2F
OL-5026PBB	24.0	0.035	0.13	C-2F
OL-5027PBB	24.0	0.050	0.5	C-2F
OL-5017PBB	28.0	0.040	0.3	C-2F



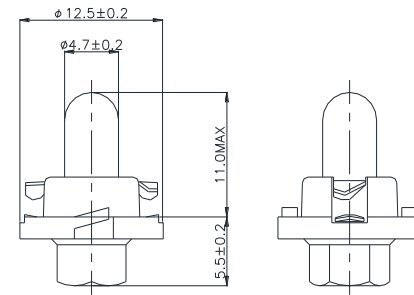
PCB THICKNESS 1.45~1.65mm



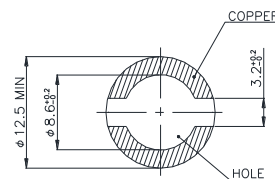
# T-1 1/2 P.C.Board Bayonet (Type-C)

## Double Contact

Oshino Lamp Numbers	Design Volt(V)	Design Amp(A)	MSCP (cd)	Filament shape
OL-5001PBC	5.0	0.060	0.05	C-2R
OL-5002PBC	5.0	0.115	0.15	C-2R
OL-5023PBC	6.0	0.060	0.13	C-2R
OL-5024PBC	6.3	0.200	0.55	C-2R
OL-5025PBC	12.0	0.060	0.15	C-2F
OL-5033PBC	12.0	0.100	0.36	C-2F
OL-5034PBC	12.0	0.150	0.45	C-2F
OL-5037PBC	14.0	0.067	0.175	C-2F
OL-5015PBC	14.0	0.080	0.3	C-2F
OL-5026PBC	24.0	0.035	0.13	C-2F
OL-5027PBC	24.0	0.050	0.5	C-2F
OL-5017PBC	28.0	0.040	0.3	C-2F

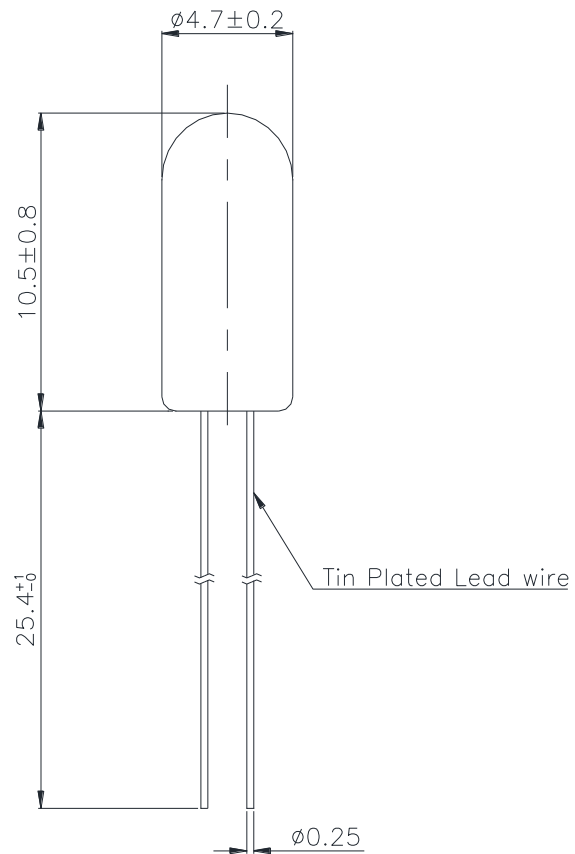


PCB THICKNESS 1.45~1.65mm



# T-1 3/4 Wire Terminal

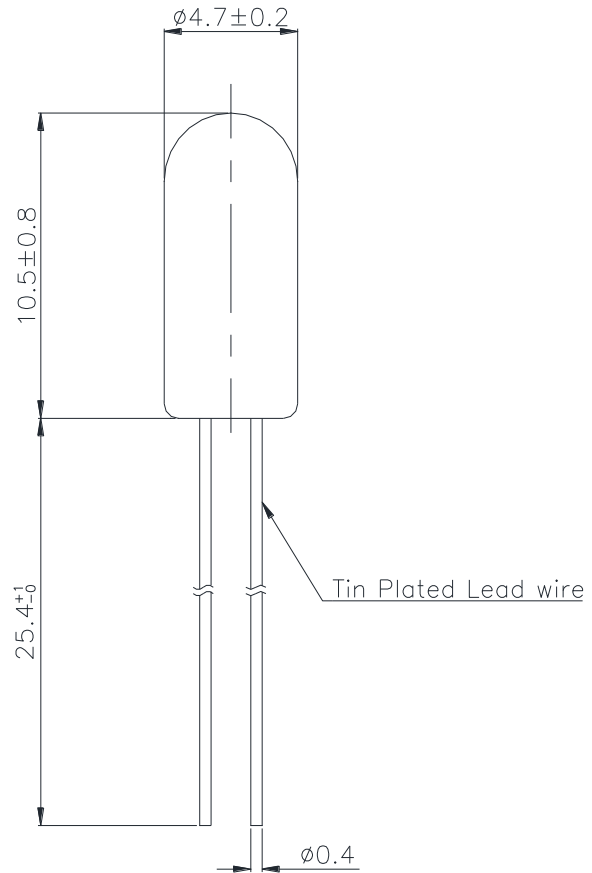
Oshino Lamp Numbers	Design Volt(V)	Design Amp(A)	MSCP (cd)	Filament shape
OL-1783	2.5	0.200	0.2	C-2R
OL-2169	2.5	0.350	0.21	C-2R
OL-1738	2.7	0.060	0.04	C-2R
OL-6134	5.0	0.030	0.03	C-2R
OL-6062	5.0	0.040	0.025	C-2R
OL-805	5.0	0.060	0.03	C-2R
OL-806	5.0	0.060	0.05	C-2R
OL-6083	5.0	0.060	0.15	C-2R
OL-6232	5.0	0.075	0.09	C-2R
OL-807	5.0	0.115	0.15	C-2R
OL-1730	6.0	0.040	0.04	C-2V
OL-6225	6.0	0.060	0.13	C-2R
OL-1784	6.0	0.200	0.34@5V	C-2R
OL-2180	6.3	0.040	0.03	C-2V
OL-1739	6.3	0.075	0.23	C-2R
OL-6048	6.3	0.150	0.45	C-2R
OL-2181	6.3	0.200	0.4	C-2F
OL-2112	6.3	0.200	0.55	C-2R
OL-2107	10.0	0.040	0.08	C-2F
OL-2174	12.0	0.040	0.12	C-2F
OL-6037	12.0	0.060	0.15	C-2F
OL-2182	14.0	0.080	0.3	C-2F
OL-1705	14.0	0.080	0.5	C-2F
OL-1705L	14.0	0.088	0.5	C-2F
OL-2162	14.0	0.100	0.5	C-2F
OL-6425	14.0	0.125	0.7	C-2F
OL-6002	15.0	0.037	0.075	C-2F
OL-2102	18.0	0.040	0.15	C-2F
OL-6004	24.0	0.050	0.5	C-2F
OL-6033	28.0	0.024	0.15	C-2F
OL-2185	28.0	0.040	0.2	C-2F
OL-2187	28.0	0.040	0.3	C-2F
OL-1764	28.0	0.040	0.34	C-2F
OL-1764LSV	28.0	0.060	0.34	C-2F
OL-361	28.0	0.060	0.6	C-2F
OL-6435	28.0	0.065	0.65	C-2F





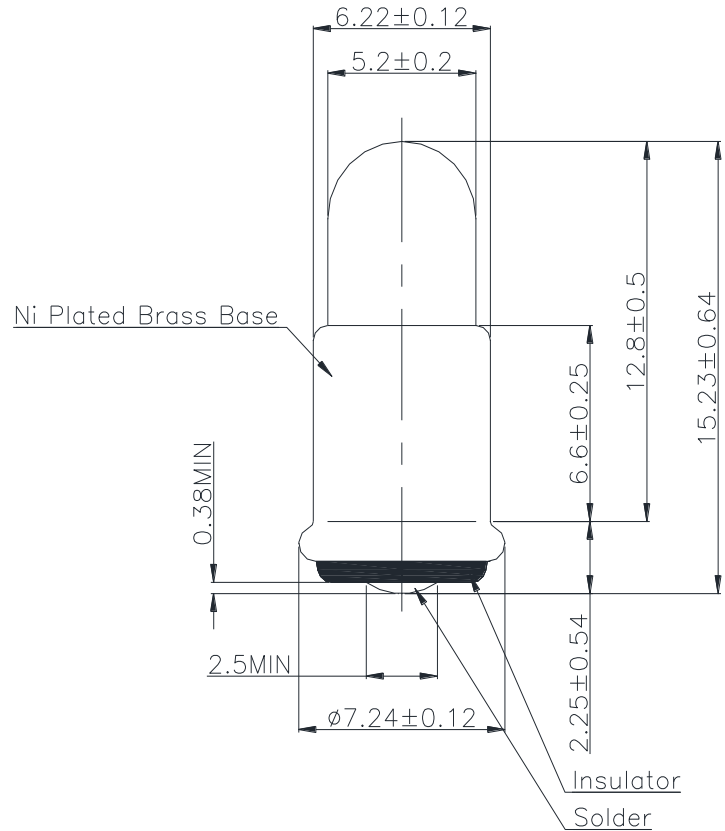
# T-1 3/4 IBP $\phi$ 0.4mm(.016") Pins

Oshino Lamp Numbers	Design Volt(V)	Design Amp(A)	MSCP (cd)	Filament shape
OL-806IBP	5.0	0.060	0.05	C-2R
OL-6083IBP	5.0	0.060	0.15	C-2R
OL-6232IBP	5.0	0.075	0.09	C-2R
OL-807IBP	5.0	0.115	0.15	C-2R
OL-6225IBP	6.0	0.060	0.13	C-2R
OL-1784IBP	6.0	0.200	0.34@5V	C-2R
OL-6048IBP	6.3	0.150	0.45	C-2R
OL-2181IBP	6.3	0.200	0.4	C-2F
OL-2112IBP	6.3	0.200	0.55	C-2R
OL-2107IBP	10.0	0.040	0.08	C-2F
OL-6037IBP	12.0	0.060	0.15	C-2F
OL-2182IBP	14.0	0.080	0.3	C-2F
OL-1705IBP	14.0	0.080	0.5	C-2F
OL-2162IBP	14.0	0.100	0.5	C-2F
OL-2102IBP	18.0	0.040	0.15	C-2F
OL-6004IBP	24.0	0.050	0.5	C-2F
OL-2185IBP	28.0	0.040	0.2	C-2F
OL-2187IBP	28.0	0.040	0.3	C-2F
OL-1764IBP	28.0	0.040	0.34	C-2F
OL-1764LSV-IBP	28.0	0.060	0.34	C-2F
OL-361IBP	28.0	0.060	0.6	C-2F



# T-1 3/4 Midget Flanged

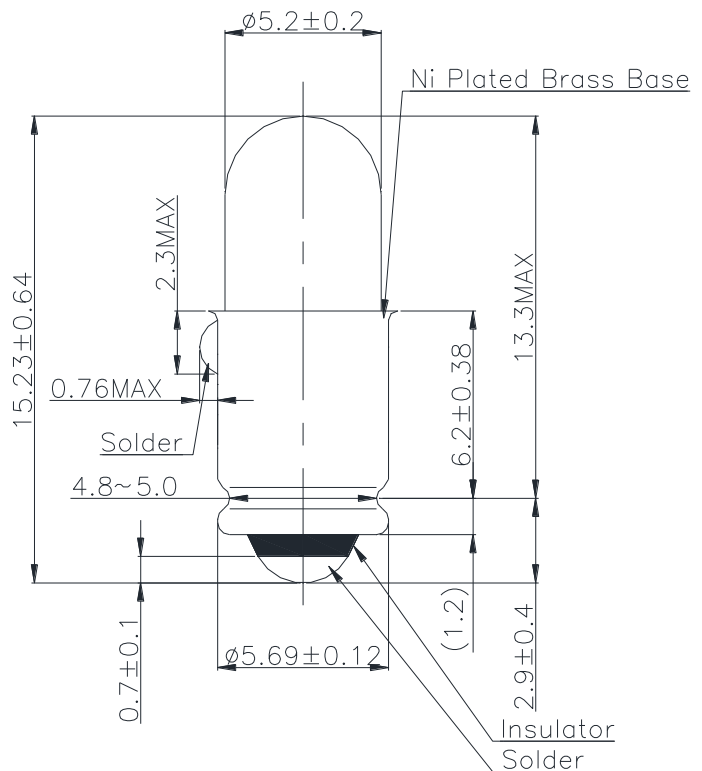
Oshino Lamp Numbers	Design Volt(V)	Design Amp(A)	MSCP (cd)	Filament shape
OL-368*	2.5	0.200	0.2	C-2R
OL-338*	2.7	0.060	0.04	C-2R
OL-6063	5.0	0.040	0.025	C-2R
OL-782	5.0	0.060	0.03	C-2R
OL-783	5.0	0.060	0.05	C-2R
OL-6084	5.0	0.060	0.15	C-2R
OL-815	5.0	0.115	0.15	C-2R
OL-428	5.0	0.180	0.35	C-2R
OL-345	6.0	0.040	0.04	C-2V
OL-328*	6.0	0.200	0.34@5V	C-2R
OL-380	6.3	0.040	0.03	C-2V
OL-377	6.3	0.075	0.23	C-2R
OL-381*	6.3	0.200	0.4	C-2F
OL-349	6.3	0.200	0.55	C-2R
OL-367	10.0	0.040	0.08	C-2F
OL-394	12.0	0.040	0.12	C-2F
OL-382	14.0	0.080	0.3	C-2F
OL-330*	14.0	0.080	0.5	C-2F
OL-6006	14.0	0.088	0.5	C-2F
OL-8918*	14.0	0.100	0.5	C-2F
OL-6003	15.0	0.037	0.075	C-2F
OL-370	18.0	0.040	0.15	C-2F
OL-6005	24.0	0.050	0.5	C-2F
OL-6034	28.0	0.024	0.15	C-2F
OL-385	28.0	0.040	0.2	C-2F
OL-385AS15*	28.0	0.040	0.2	C-2F
OL-387*	28.0	0.040	0.3	C-2F
OL-327*	28.0	0.040	0.34	C-2F
OL-327LSV	28.0	0.060	0.34	C-2F
OL-365	28.0	0.060	0.6	C-2F
OL-6436	28.0	0.065	0.65	C-2F



\*U.S Military Standard MS25237 Japan industry standard JIS C7522

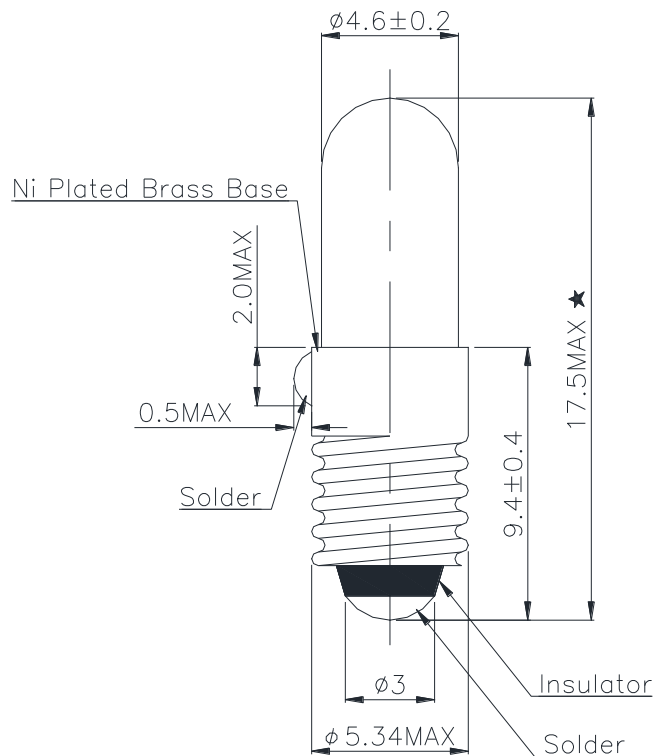
# T-1 3/4 Midget Grooved

Oshino Lamp Numbers	Design Volt(V)	Design Amp(A)	MSCP (cd)	Filament shape
OL-6039	5.0	0.060	0.03	C-2R
OL-6043	5.0	0.115	0.15	C-2R
OL-337	6.0	0.200	0.34@5V	C-2R
OL-6381	6.3	0.150	0.45	C-2R
OL-379	6.3	0.200	0.4	C-2F
OL-398	6.3	0.200	0.55	C-2R
OL-6045	12.0	0.040	0.12	C-2F
OL-386	14.0	0.080	0.3	C-2F
OL-336	14.0	0.080	0.5	C-2F
OL-6339	14.0	0.100	0.5	C-2F
OL-6219	28.0	0.024	0.15	C-2F
OL-6047	28.0	0.040	0.2	C-2F
OL-388	28.0	0.040	0.3	C-2F
OL-334	28.0	0.040	0.34	C-2F
OL-334LSV	28.0	0.060	0.34	C-2F



# T-1 3/4 Midget Screw

Oshino Lamp Numbers	Design Volt(V)	Design Amp(A)	MSCP (cd)	Filament shape
OL-1767*	2.5	0.200	0.2	C-2R
OL-1769*	2.5	0.200	0.2	C-2R
OL-693	2.7	0.060	0.04	C-2R
OL-6015	5.0	0.060	0.03	C-2R
OL-6040	5.0	0.060	0.05	C-2R
OL-6042	5.0	0.115	0.15	C-2R
OL-342*	6.0	0.040	0.04	C-2V
OL-1768*	6.0	0.200	0.34@5V	C-2R
OL-1775	6.3	0.075	0.23	C-2R
OL-6008	6.3	0.150	0.45	C-2R
OL-1768L	6.3	0.200	0.55	C-2R
OL-378	6.3	0.200	0.4	C-2F
OL-691	10.0	0.014	0.004	C-2F
OL-6044	12.0	0.040	0.12	C-2F
OL-362	14.0	0.080	0.3	C-2F
OL-373	14.0	0.080	0.5	C-2F
OL-536	18.0	0.040	0.15	C-2F
OL-384	28.0	0.040	0.2	C-2F
OL-399	28.0	0.040	0.3	C-2F
OL-335*	28.0	0.040	0.34	C-2F
OL-335LSV	28.0	0.060	0.34	C-2F

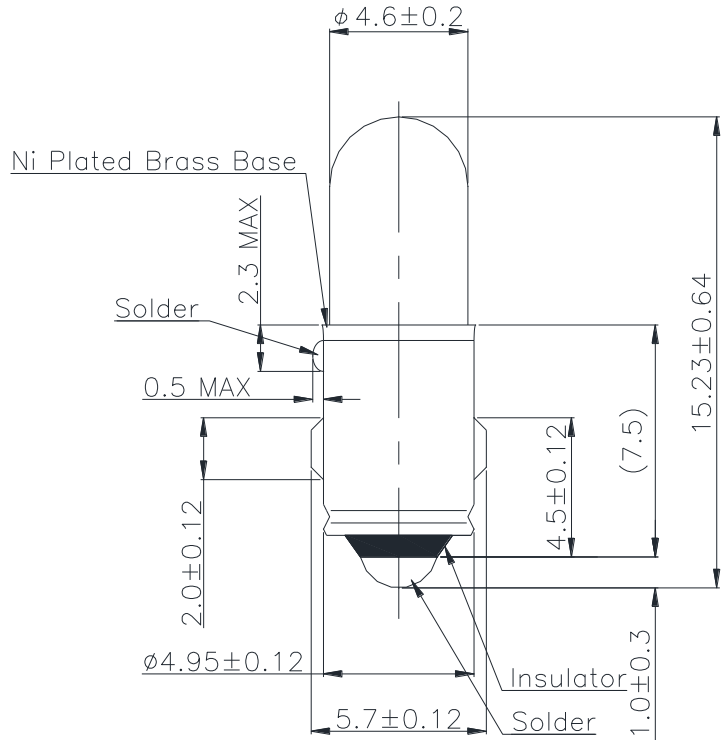


- ★MS15612
- OL-1767 15.88mm
  - OL-1768 15.88mm
  - OL-335 18.26mm
  - OL-342 18.26mm
  - OL-1769 18.26mm

\*U.S Military Standard MS15612

# T-1 3/4 Midget Bayonet

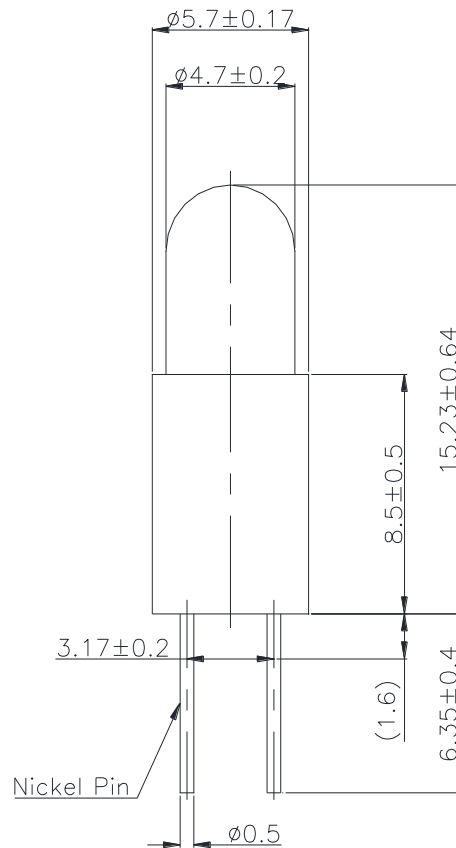
Oshino Lamp Numbers	Design Volt(V)	Design Amp(A)	MSCP (cd)	Filament shape
OL-368MB	2.5	0.200	0.2	C-2R
OL-268MB	2.5	0.350	0.21	C-2R
OL-338MB	2.7	0.060	0.04	C-2R
OL-6133MB	3.0	0.040	0.03	C-2R
OL-6049MB	4.5	0.120	0.045	C-2V
OL-783MB	5.0	0.060	0.05	C-2R
OL-6084MB	5.0	0.060	0.15	C-2R
OL-6233MB	5.0	0.075	0.09	C-2R
OL-815MB	5.0	0.115	0.15	C-2R
OL-345MB	6.0	0.040	0.04	C-2V
OL-6226MB	6.0	0.060	0.13	C-2R
OL-380MB	6.3	0.040	0.03	C-2V
OL-350MB	6.3	0.150	0.45	C-2R
OL-381MB	6.3	0.200	0.4	C-2F
OL-367MB	10.0	0.040	0.08	C-2F
OL-394MB	12.0	0.040	0.12	C-2F
OL-382MB	14.0	0.080	0.3	C-2F
OL-330MB	14.0	0.080	0.5	C-2F
OL-6006MB	14.0	0.088	0.5	C-2F
OL-6003MB	15.0	0.037	0.075	C-2F
OL-370MB	18.0	0.040	0.15	C-2F
OL-6005MB	24.0	0.050	0.5	C-2F



# T-1 3/4 Bi-Pin

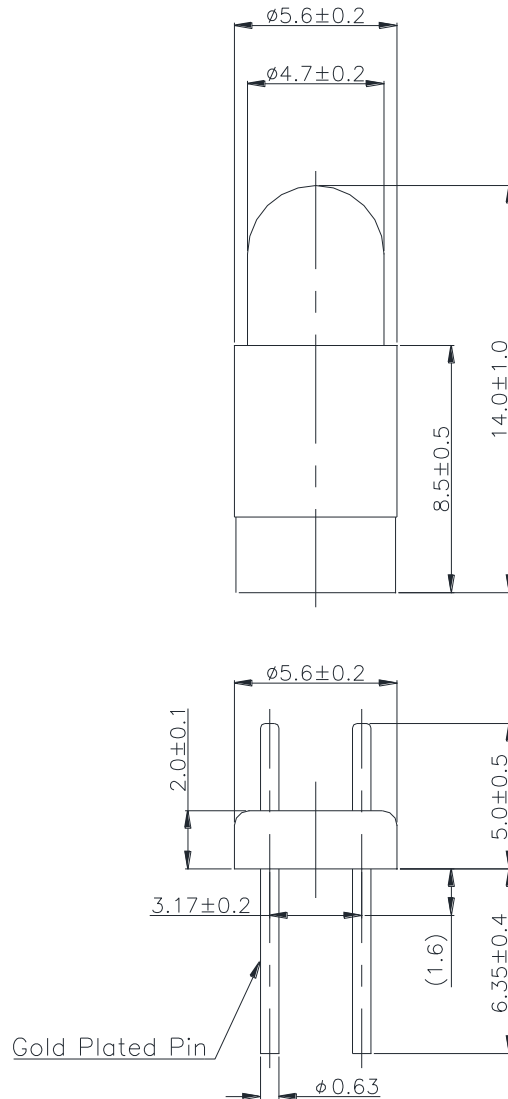
**Maximum Diameter 5.87mm(.230") Pin Spacing 3.17mm(.125")**

Oshino Lamp Numbers	Design Volt(V)	Design Amp(A)	MSCP (cd)	Filament shape
OL-368BP	2.5	0.200	0.2	C-2R
OL-268BP	2.5	0.350	0.21	C-2R
OL-338BP	2.7	0.060	0.04	C-2R
OL-6135BP	5.0	0.030	0.03	C-2R
OL-6063BP	5.0	0.040	0.025	C-2R
OL-782BP	5.0	0.060	0.03	C-2R
OL-783BP	5.0	0.060	0.05	C-2R
OL-6084BP	5.0	0.060	0.15	C-2R
OL-6233BP	5.0	0.075	0.09	C-2R
OL-815BP	5.0	0.115	0.15	C-2R
OL-428BP	5.0	0.180	0.35	C-2R
OL-345BP	6.0	0.040	0.04	C-2V
OL-6226BP	6.0	0.060	0.13	C-2R
OL-328BP	6.0	0.200	0.34@5V	C-2R
OL-380BP	6.3	0.040	0.03	C-2V
OL-377BP	6.3	0.075	0.23	C-2R
OL-350BP	6.3	0.150	0.45	C-2R
OL-381BP	6.3	0.200	0.4	C-2F
OL-349BP	6.3	0.200	0.55	C-2R
OL-367BP	10.0	0.040	0.08	C-2F
OL-394BP	12.0	0.040	0.12	C-2F
OL-6038BP	12.0	0.060	0.15	C-2F
OL-382BP	14.0	0.080	0.3	C-2F
OL-330BP	14.0	0.080	0.5	C-2F
OL-6006BP	14.0	0.088	0.5	C-2F
OL-8918BP	14.0	0.100	0.5	C-2F
OL-6426BP	14.0	0.125	0.7	C-2F
OL-6003BP	15.0	0.037	0.075	C-2F
OL-370BP	18.0	0.040	0.15	C-2F
OL-6005BP	24.0	0.050	0.5	C-2F
OL-6034BP	28.0	0.024	0.15	C-2F
OL-385BP	28.0	0.040	0.2	C-2F
OL-387BP	28.0	0.040	0.3	C-2F
OL-327BP	28.0	0.040	0.34	C-2F
OL-327LSV-BP	28.0	0.060	0.34	C-2F
OL-365BP	28.0	0.060	0.6	C-2F



# T-1 3/4 Bi-Pin(Relampable)

Oshino Lamp Numbers	Design Volt(V)	Design Amp(A)	MSCP (cd)	Filament shape
OL-368BPR	2.5	0.200	0.2	C-2R
OL-268BPR	2.5	0.350	0.21	C-2R
OL-338BPR	2.7	0.060	0.04	C-2R
OL-375BPR	3.0	0.015	0.003	C-2R
OL-6135BPR	5.0	0.030	0.03	C-2R
OL-6063BPR	5.0	0.040	0.025	C-2R
OL-782BPR	5.0	0.060	0.03	C-2R
OL-783BPR	5.0	0.060	0.05	C-2R
OL-6084BPR	5.0	0.060	0.15	C-2R
OL-6233BPR	5.0	0.075	0.09	C-2R
OL-815BPR	5.0	0.115	0.15	C-2R
OL-428BPR	5.0	0.180	0.35	C-2R
OL-345BPR	6.0	0.040	0.04	C-2V
OL-6226BPR	6.0	0.060	0.13	C-2R
OL-328BPR	6.0	0.200	0.34@5V	C-2R
OL-380BPR	6.3	0.040	0.03	C-2V
OL-377BPR	6.3	0.075	0.23	C-2R
OL-350BPR	6.3	0.150	0.45	C-2R
OL-381BPR	6.3	0.200	0.4	C-2F
OL-349BPR	6.3	0.200	0.55	C-2R
OL-367BPR	10.0	0.040	0.08	C-2F
OL-394BPR	12.0	0.040	0.12	C-2F
OL-6038BPR	12.0	0.060	0.15	C-2F
OL-382BPR	14.0	0.080	0.3	C-2F
OL-330BPR	14.0	0.080	0.5	C-2F
OL-6006BPR	14.0	0.088	0.5	C-2F
OL-8918BPR	14.0	0.100	0.5	C-2F
OL-6426BPR	14.0	0.125	0.7	C-2F
OL-6003BPR	15.0	0.037	0.075	C-2F
OL-370BPR	18.0	0.040	0.15	C-2F
OL-6005BPR	24.0	0.050	0.5	C-2F
OL-6034BPR	28.0	0.024	0.15	C-2F
OL-385BPR	28.0	0.040	0.2	C-2F
OL-387BPR	28.0	0.040	0.3	C-2F
OL-327BPR	28.0	0.040	0.34	C-2F
OL-327LSV/BPR	28.0	0.060	0.34	C-2F
OL-365BPR	28.0	0.060	0.6	C-2F



※Please note that product specifications and appearance are subject to change without notice so contact us for confirmation before placing an o